

California Faucets®

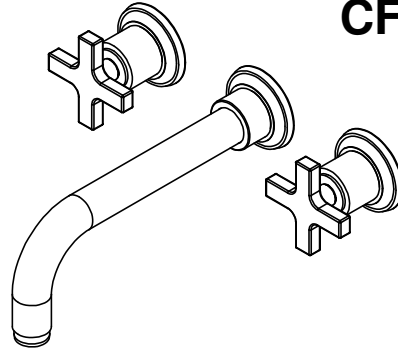
Rincon Bay™

WALL LAVATORY

CF-TO-V4502X-7/9

Features

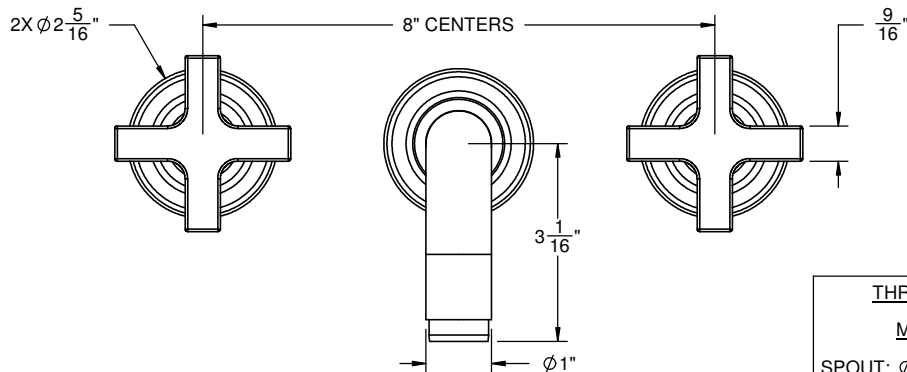
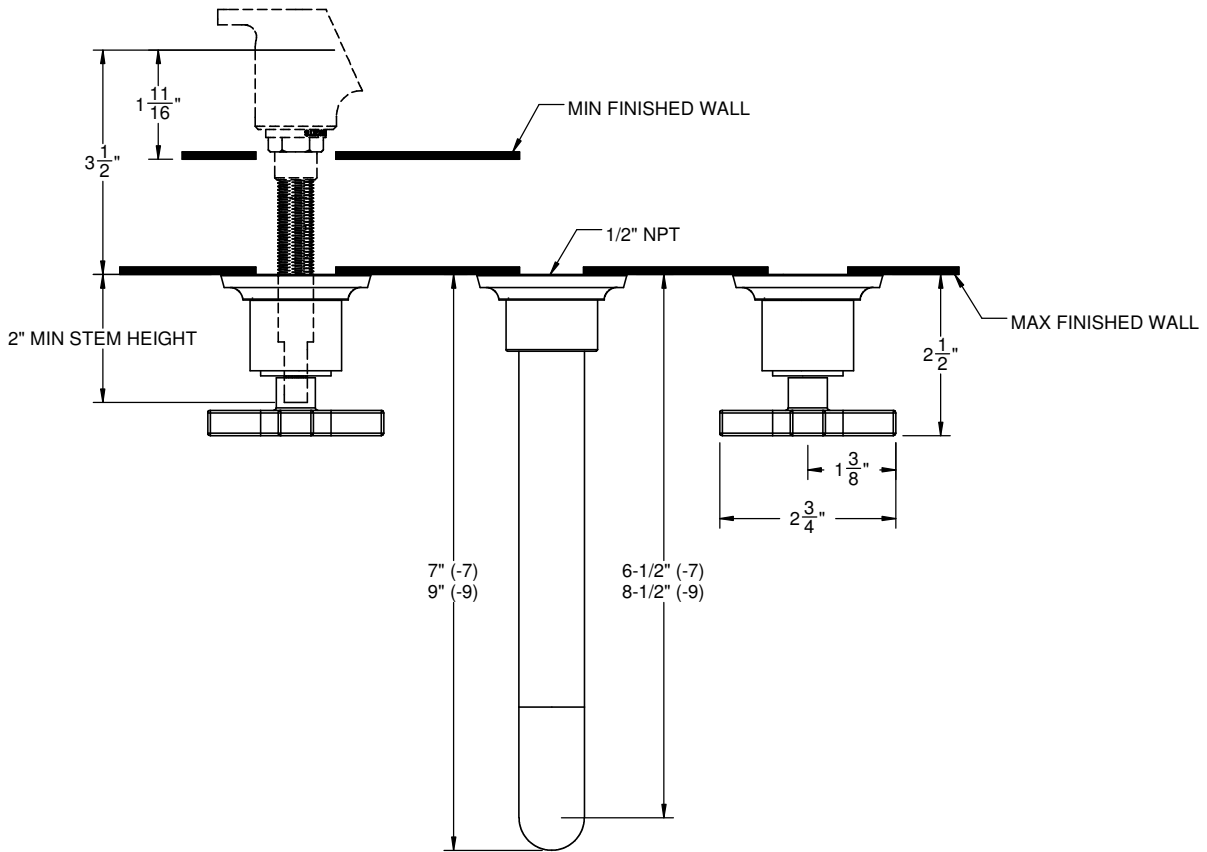
- 1.2 gpm (4.5 L/min) max flow rate
- Rough valve (CF-VL-R) sold separately
- Solid brass construction
- Over 30 finishes including 15 PVD finishes



Codes/Standards

Product meets or exceeds the following:

- ASME A112.18.1/CSA B125.1
- NSF/ANSI 61 & NSF/ANSI 372
- CEC



THROUGH-HOLE SPECIFICATIONS		
MIN	RECOMMENDED	MAX
SPOUT: $\phi 1$ "	$\phi 1\text{-}3/8$ "	$\phi 1\text{-}5/8$ "
VALVE: $\phi 1\text{-}1/8$ "	$\phi 1\text{-}3/8$ "	$\phi 1\text{-}5/8$ "

SPECIFICATIONS SUBJECT TO CHANGE WITHOUT NOTICE

ALL DIMENSIONS SHOWN TO NEAREST 1/16"