

artos[®]

C06090P

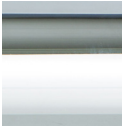
INSTALLATION GUIDE

cadiz towel warmer,
plug-in

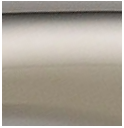
BRUSHED NICKEL(BN)



CHROME(CH)



POLISHED NICKEL(PN)



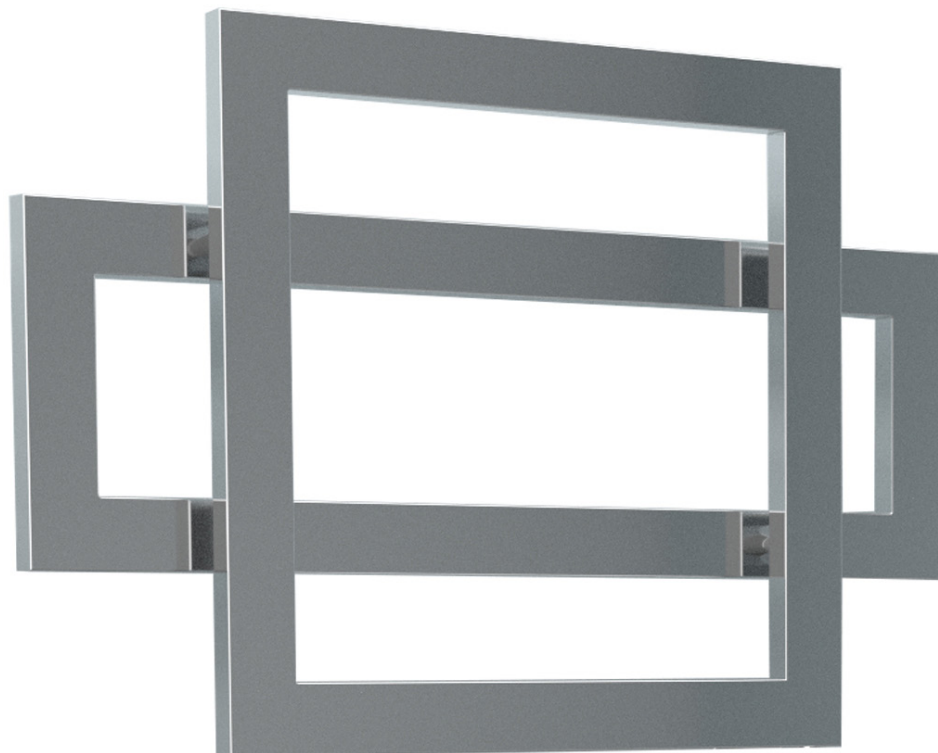
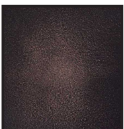
BLACK(BK)



WHITE(WH)



OIL-RUBBED BRONZE(OB)

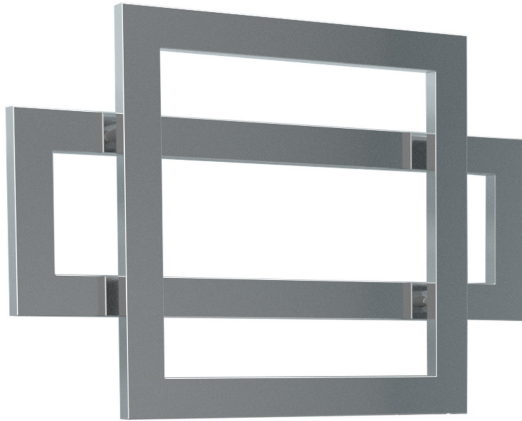


artos[®]

C06090P

cadiz towel warmer,
plug-in

OPERATING SPECIFICATIONS



FEATURES

Towel warming, drying and auxiliary heating.

ELEMENT

300W, 110V

CODES

UL Approved
CSA-US Approved

REQUIREMENTS

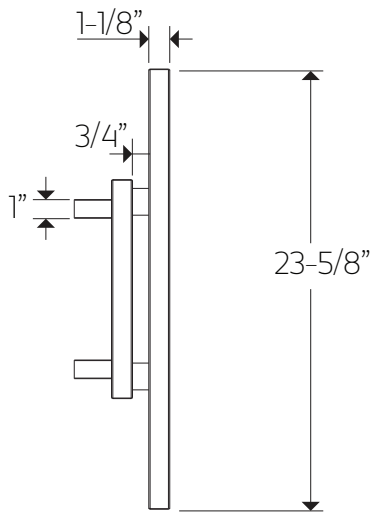
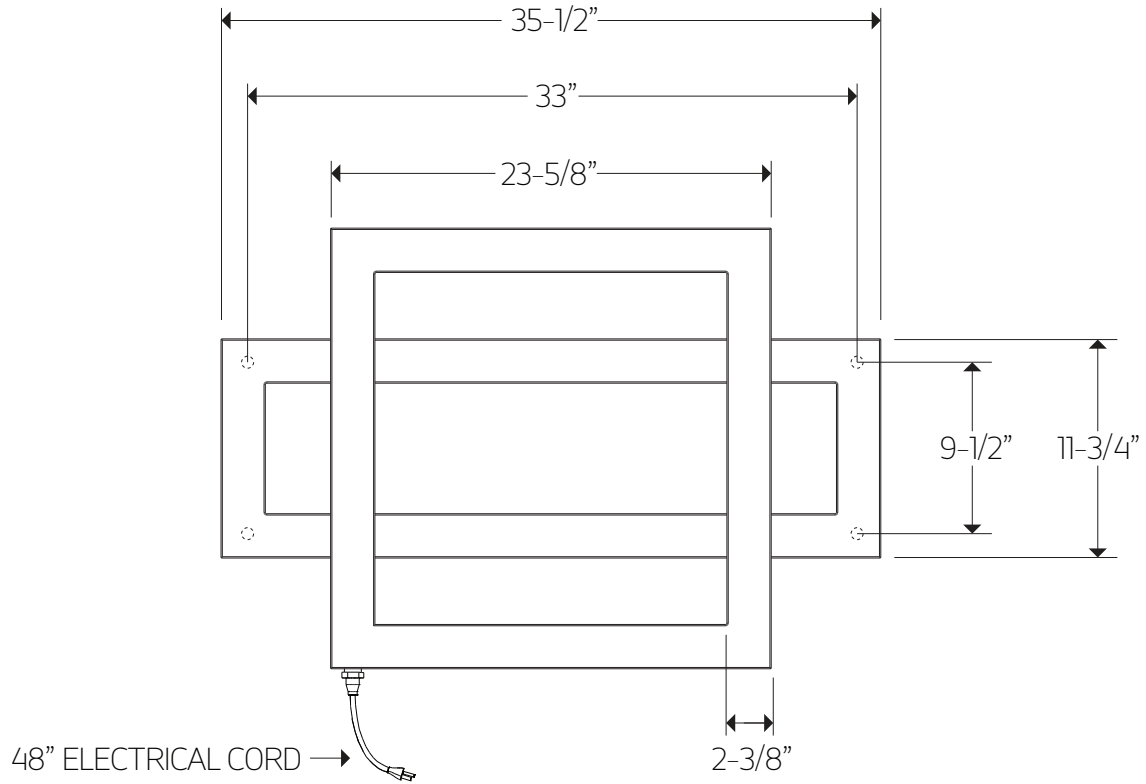
The towel warmer must be installed so that the Element is at the bottom.

artos[®]

C06090P

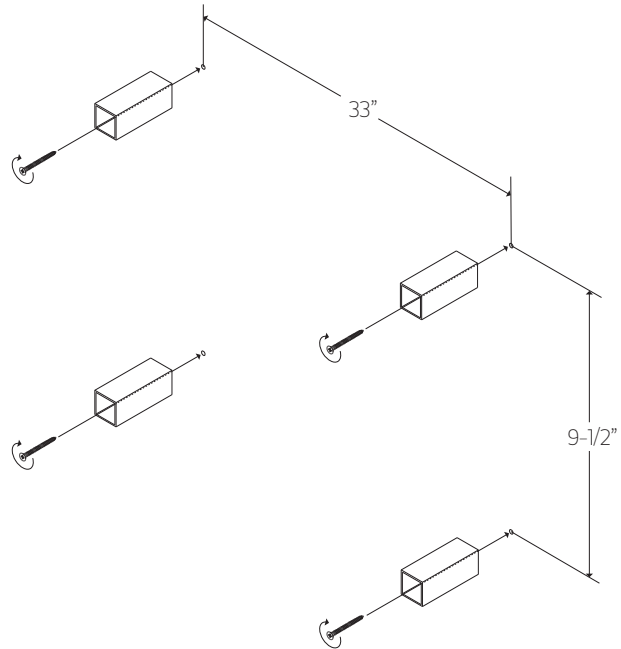
PRODUCT DIMENSIONS

cadiz towel warmer,
plug-in



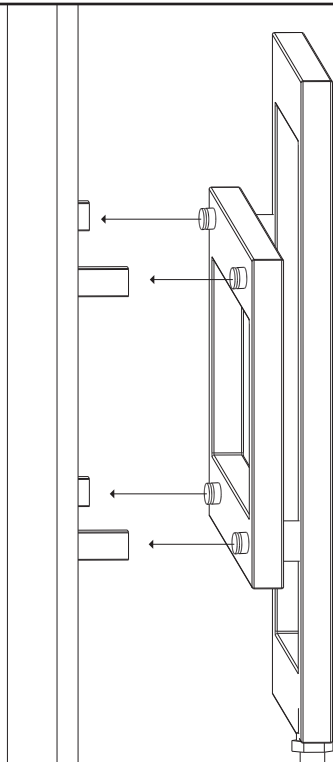
STEP 1

***ALL DIMENSIONS ARE APPROXIMATE. PLEASE MEASURE UNIT BEFORE INSTALLATION**



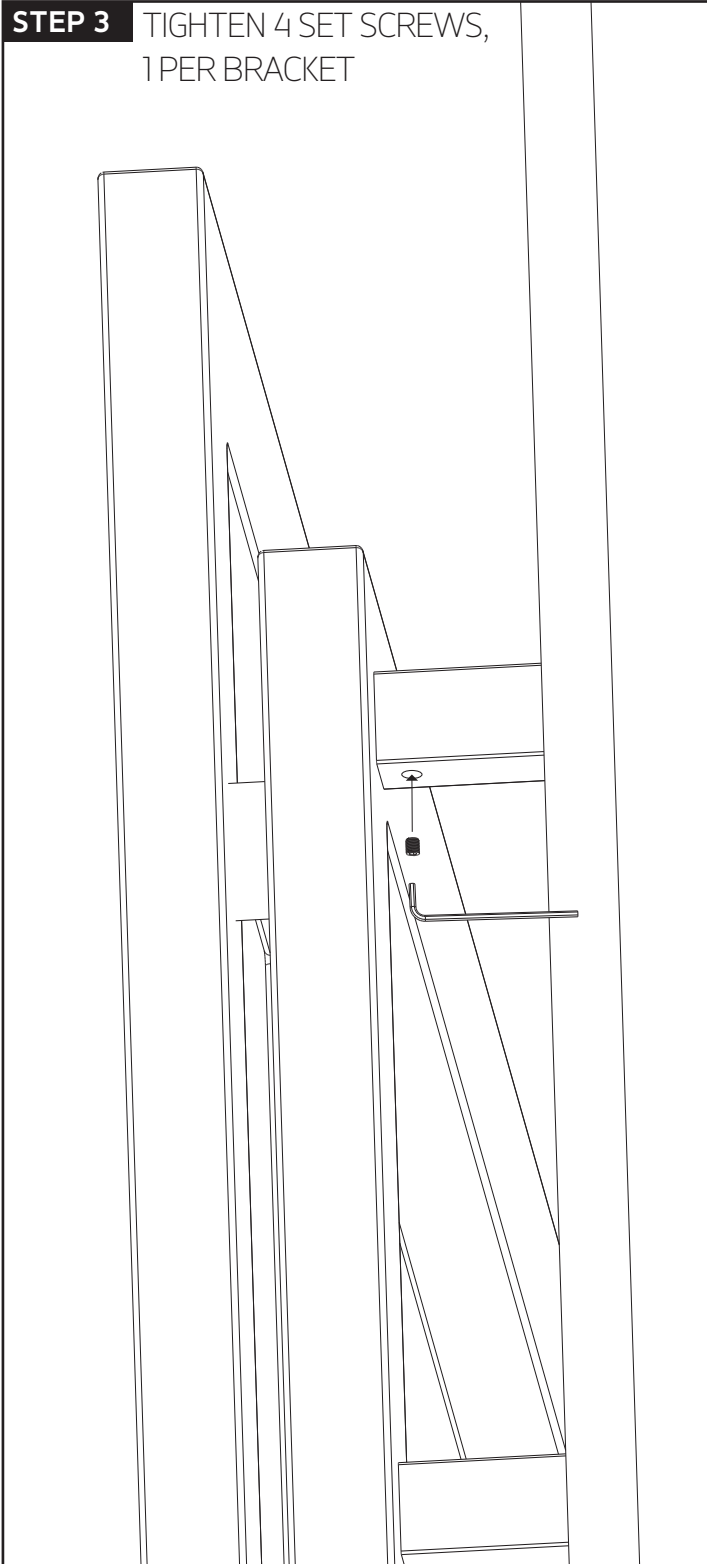
WE RECOMMEND THAT
AT LEAST 2 OF THE
WALL BRACKETS ARE
SECURED INTO A STUD
OR BACKER

STEP 2



INSTALLATION STEPS

STEP 3 TIGHTEN 4 SET SCREWS,
1 PER BRACKET

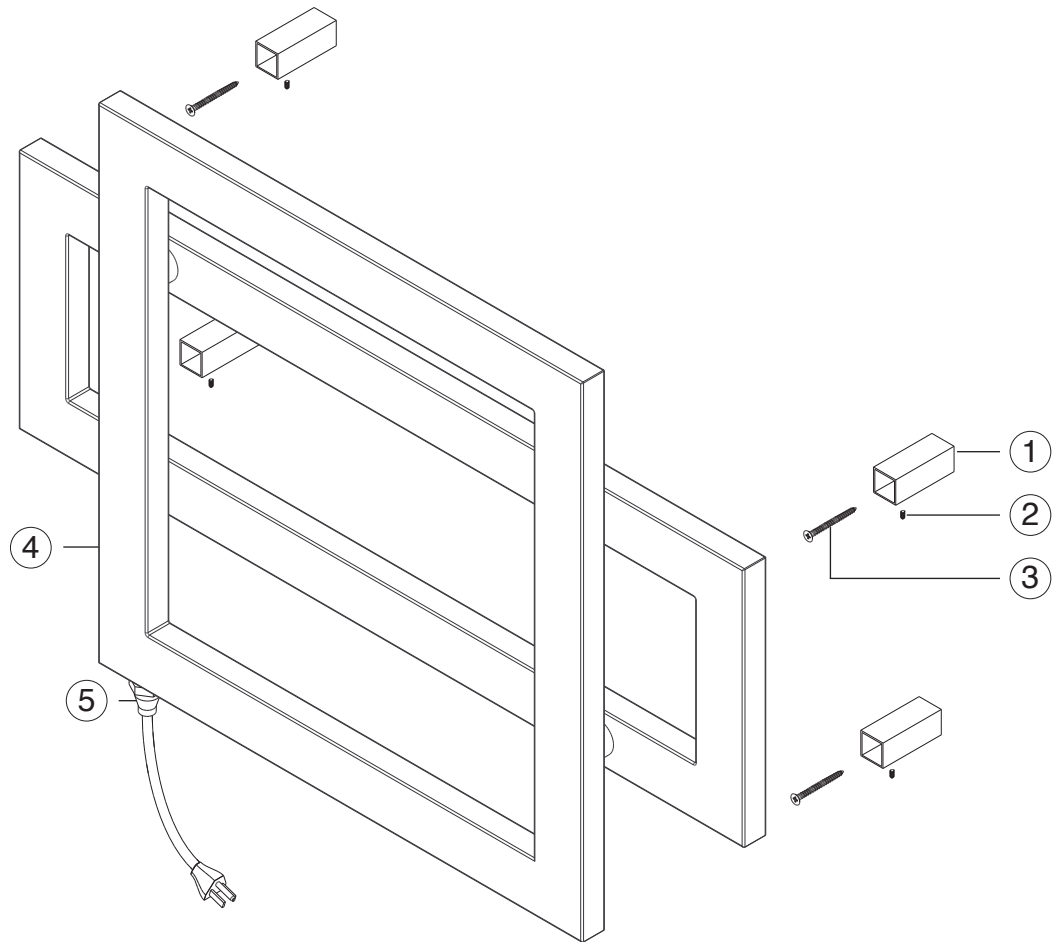


artos[®]

C06090P

cadiz towel warmer,
plug-in

PARTS BREAKDOWN



- ① **WALL BRACKET(4)** C06090P XP1
- ② **WALL BRACKET SET SCREW(4)** C06090P XP2
- ③ **WALL BRACKET SCREW(4)** C06090P XP3
- ④ **TOWEL WARMER** C06090P XP4
- ⑤ **ELEMENT** C06090P XP5

artos®

C06090P

cadiz towel warmer,
plug-in

DECORATIVE TOWEL DRYERS

Artos® Warranty Decorative Towel Dryers

Artos® towel dryers have been manufactured under the highest quality and manufacturing standards.

Artos® towel dryers have a 5-year warranty against leaks and manufacturing defects to the finish. The heating element itself has a 2-year warranty.

- Use a soft, dampened sponge or cloth. On no account should you use a abrasive material such as a brush, scouring pad or steel wool to clean surfaces.
- Test your cleaning agent solution on an inconspicuous area before applying to the entire faucet.
- Wipe surfaces clean and rinse completely with water immediately after applying cleaning agent.
- An ideal cleaning technique is to rinse faucet thoroughly and blot dry a water from the surface after each use.

This warranty applies to installations in the US, Canada and Mexico (North America). Commercial, Industrial or business uses are warranted for a period of one year from the original date of purchase. This warranty is non-transferable and applies exclusively to the original owner or end-user. If a defect is found during normal use, Artos® will, at its election, repair, replace or make an appropriate adjustment. Damage caused by accident, misuse, abuse, improper installation or alteration will void the warranty.

This warranty does not cover replacement parts where damage is caused by normal wear and tear. Labor charges, installation or other incidental or consequential costs will not be covered. Replacement parts that qualify for warranty repair can be obtained by contacting Artos® at 1-877-9ARTOS9 or by e-mail at info@artos.us.com.

Proof of purchase (original sales receipt) from the original consumer purchaser must accompany all warranty claims. When submitting your claim in writing, please provide your name, address and telephone number.

Please register this product online at WWW.ARTOS.US.COM