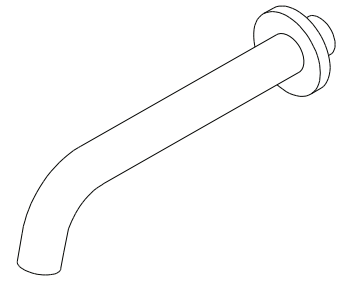


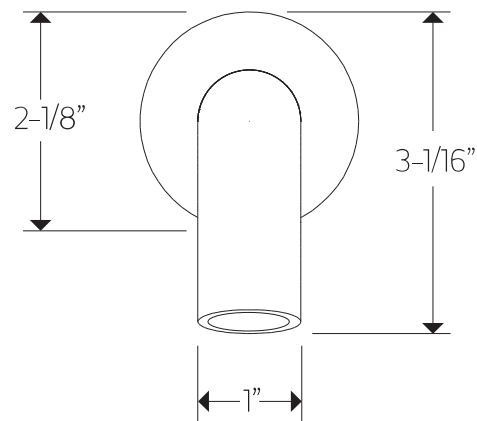
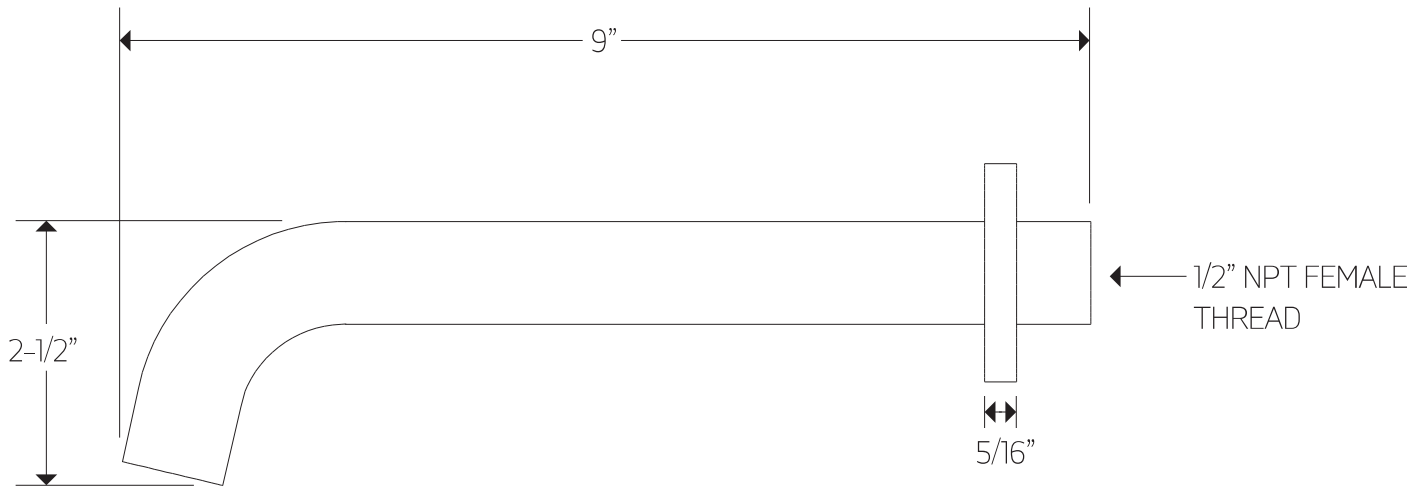
artos



F908-4

TECHNICAL DATA SHEET

wall mount tub filler



artos

F908-4

wall mount tub filler

OPERATING SPECIFICATIONS



MAXIMUM WATER TEMPERATURE

Maximum: 176°F

OPERATING PRESSURE

Maximum: 125psi

Recommended: 15psi- 75psi

Above 90psi it may be necessary to install a pressure reducer