

CELINO 450 ABOVE COUNTER BASIN

Cat. No
4-435



Faucet not included

W: 17-³/₄"
D: 15-³/₄"
H: 5-³/₄"

***Please do NOT drill hole without
template or actual product.**

Interior Dimensions:

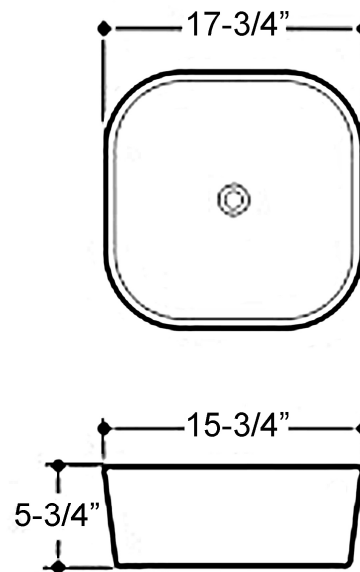
Basin Interior: 15-³/₄" x 13-⁷/₈"
Basin Depth: 4-⁵/₈"

Features:

- ▶ Rectangular above counter basin
- ▶ Vitreous china for durability
- ▶ No overflow
- ▶ Drain not provided
- ▶ Can be used with grid drain #5601 or umbrella drain # UD701 (Not included)

Colors:
WH White

Compliance Certification
Meets or exceeds the following
specifications: ASME A112.19.2
2013 and CSA B45.1-13 for
ceramic plumbing fixtures.



Dimensions of fixture are nominal and may vary within the range of tolerances established by AMSE Standard A112.19.2.2013 Dimensions and