

LIFT AND TURN TUB DRAIN

Cat. No.
5598LT

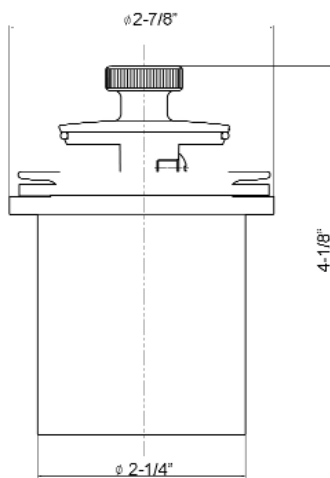


Features:

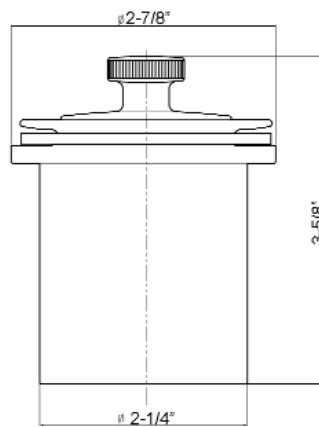
- ▶ PVC and Zinc construction
- ▶ Lift and turn operation
- ▶ 1-1/2" Flanged PVC Adapter
- ▶ For use with tubs without overflow
- ▶ Rubber gasket included
- ▶ Available in 5 Finishes

Finishes:

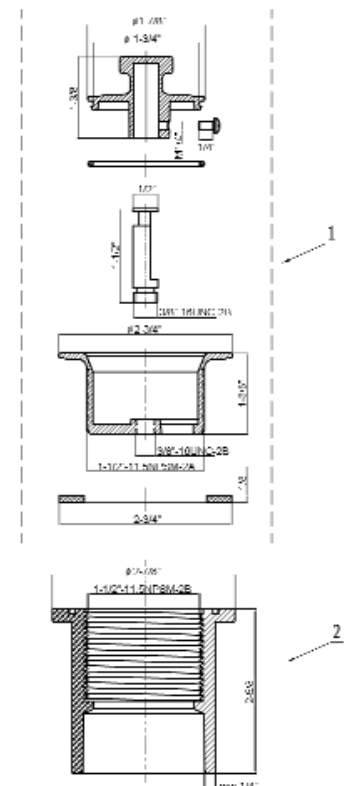
- BN** Brushed Nickel
- CP** Polished Chrome
- ORB** Oil Rubbed Bronze
- PB** Polished Brass
- PN** Polished Nickel



Open



Closed



Dimensions and specifications subject to change without notice.