

**COLLIER
70" ACRYLIC DOUBLE
ROLL TOP TUB**

Cat. No.
ATDR7H70I



L: 70"
W: 31-3/4"
H: 23-3/4"

Water depth: 16-1/4" to top of tub
Water depth: 11-5/8" to overflows

The following is recommended for ATDR7H70I tubs:

- Rim-mounted faucets: part #4601 or 4201
- Straight bath supplies: part #5577
- Leg tub drain: part #5599LT or 5599TS

Gallon Capacity :	57
Shipping Weight:	162 lbs.
Empty Weight:	102 lbs.
Filled Weight:	676 lbs.



Overflow can be drilled.
With overflow drilled this tub requires drain 5599E.
Tubs that have been drilled with overflow are "special order" and are not returnable.

Features:

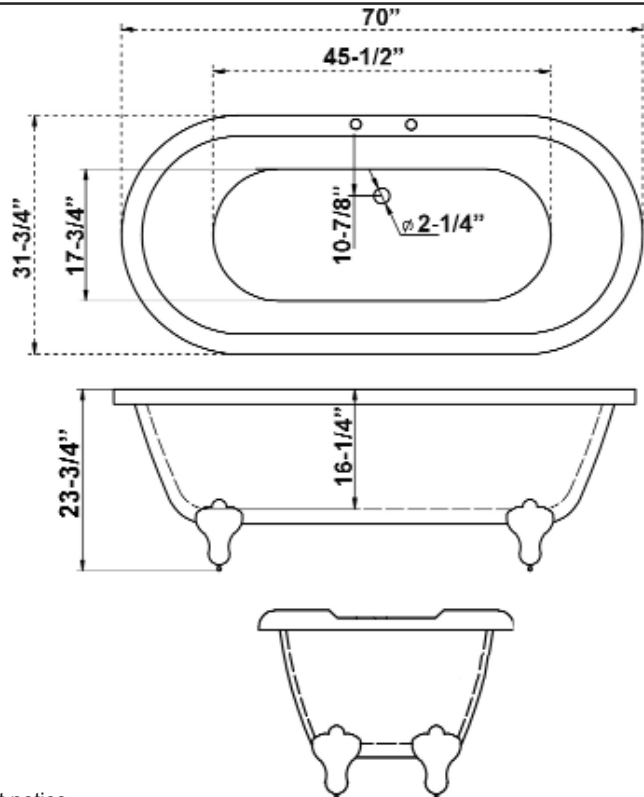
- ▶ Interior and exterior walls acrylic sheets
- ▶ Space between walls partially filled with fiberglass & resin
- ▶ 7" centers in tub deck
- ▶ No overflow
- ▶ Aluminum imperial feet available in 4 finishes
- ▶ Tub is thoroughly inspected before shipment



Feet Finishes:

- BN** Brushed Nickel
- PB** Polished Brass
- CP** Polished Chrome
- ORB** Oil Rubbed Bronze

Custom Colors Available (inside of tub is always white enamel):
Painted bathtubs are considered "special order" and are not returnable
\$160 Bisque or Black \$250 Designer Color



Dimensions of fixture are nominal and specifications subject to change without notice.