

Single Hole Lavatory/Bar/Prep Faucet - Low Spout

Installation Instructions

CALIFORNIA FAUCETS RECOMMENDS THAT ALL PLUMBING PRODUCTS BE INSTALLED BY A LICENSED PROFESSIONAL

IMPORTANT: Read all instructions prior to installation and provide copy of instructions to consumer.

Operating Specifications:

Recommended Supply Pressure: 20 to 70 psi*†

Maximum Flow Rate: 1.2 gpm

* Operating pressures between hot and cold supplies should vary no more than 30 psi.

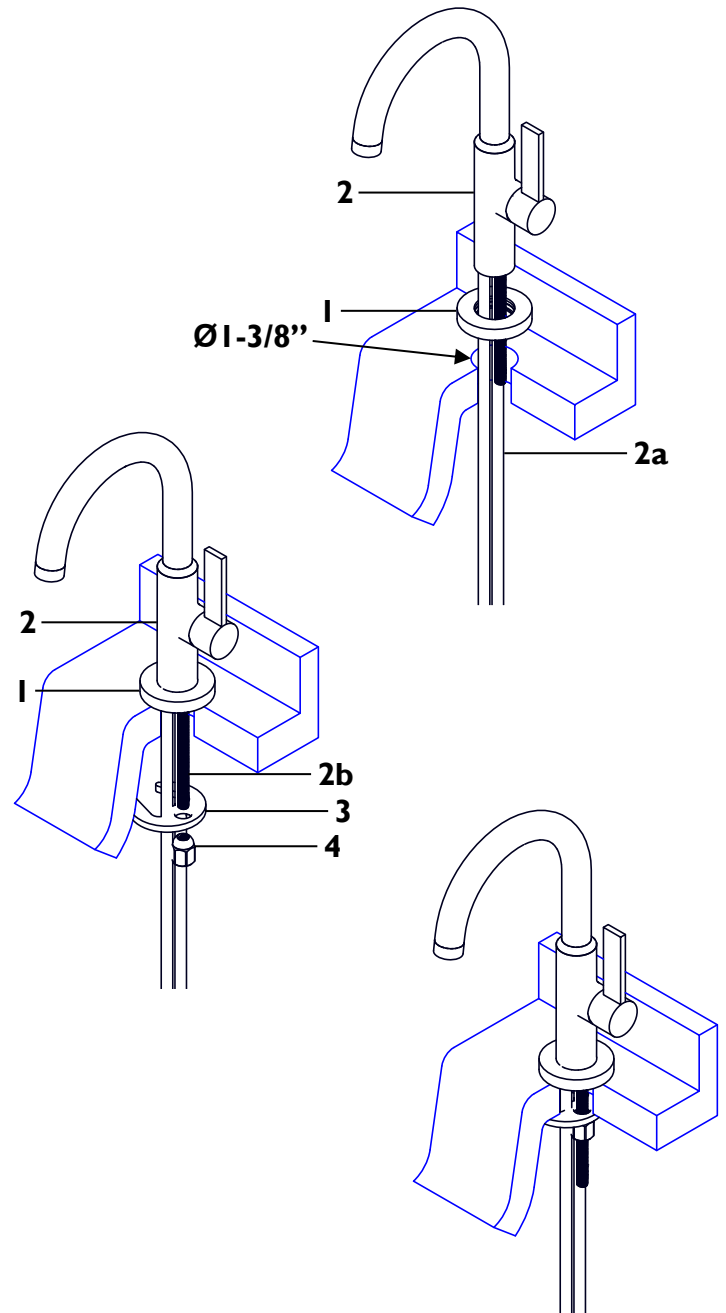
† If water pressure exceeds 70 psi, install a Pressure-Reducing Valve (PRV).

I INSTALLING FAUCET

- Center BASE RING (1) over sink/deck through-hole

NOTE: Sink/deck recommended hole size is $\varnothing 1\text{-}3/8''$

- Insert FLEX HOSE (2a) and THREADED ROD (2b) through BASE RING (1) and sink/deck through-hole
- Place BODY (2) on top of BASE RING (1)
- From underside of sink/deck place MOUNTING BRACKET (3) and NUT (4) onto THREADED ROD (2b)
- Tighten NUT (4) until BODY (2) and BASE RING (1) are secure to sink/deck

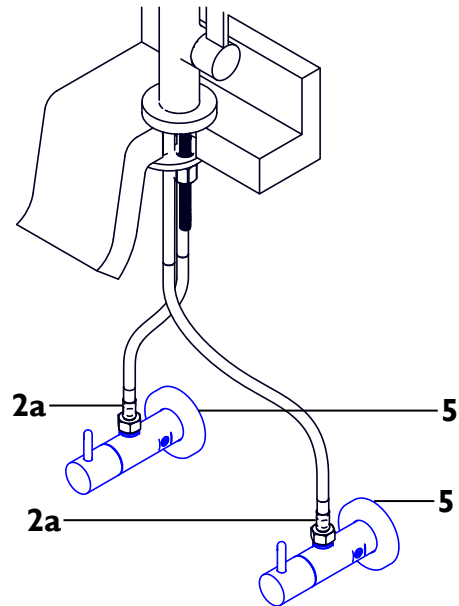


2 SUPPLY CONNECTIONS

- Connect blue colored FLEX HOSE (2a) to cold SUPPLY VALVE (5) and red colored FLEX HOSE (2a) to hot SUPPLY VALVE (5)

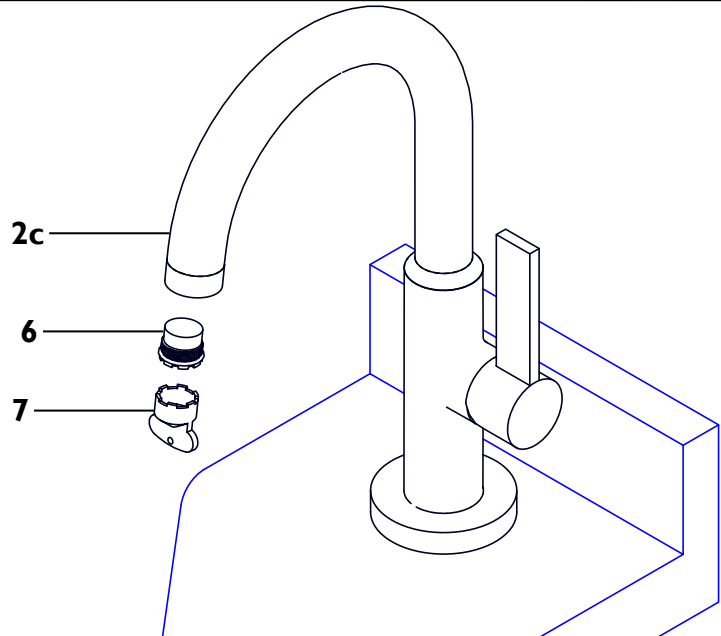
IMPORTANT: Flush supply valves prior to installation to prevent damage and malfunction of cartridge

- Turn on cold and hot SUPPLY VALVES (5)
- Slowly open faucet lever and rotate to left and right
- Check all connections for leaks and repair as necessary
- Give these instructions and blue plastic aerator key to consumer for safe keeping
-



3 REMOVING AERATOR

- Line up AERATOR (6) with supplied aerator KEY (7)
- Rotate KEY (7) counterclockwise to loosen and remove AERATOR (6) from SPOUT (2c)



4 FAUCET OPERATION

- Tilt lever/handle outward to turn on
- Rotate lever/handle for temperature control

