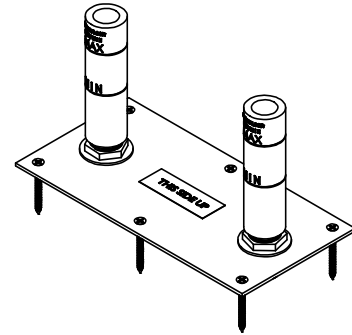




Features

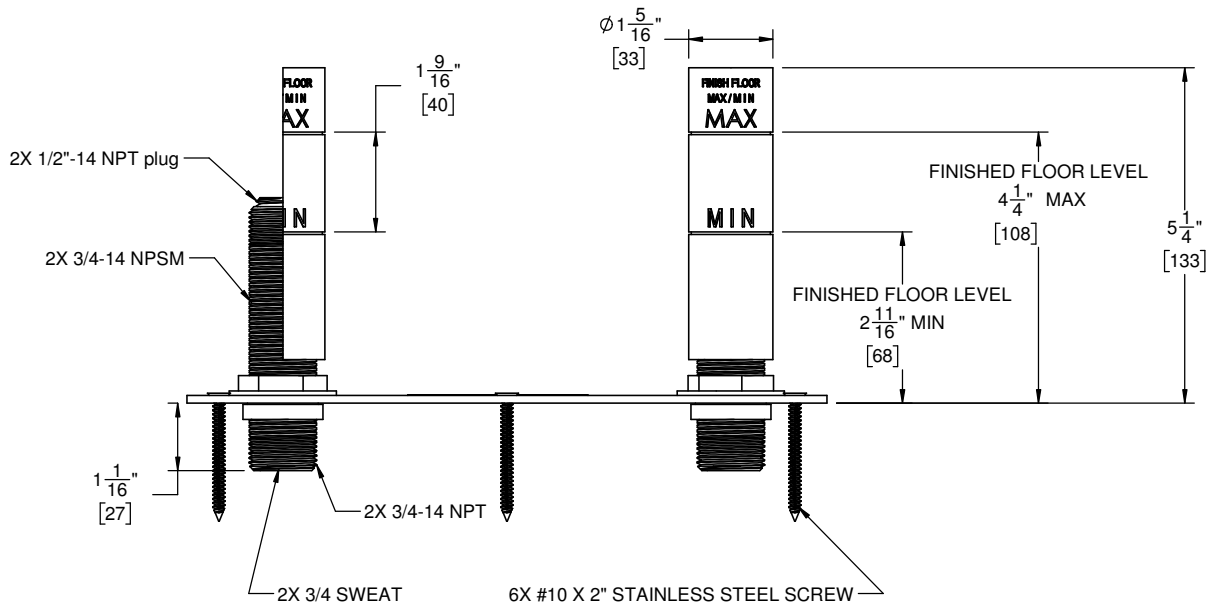
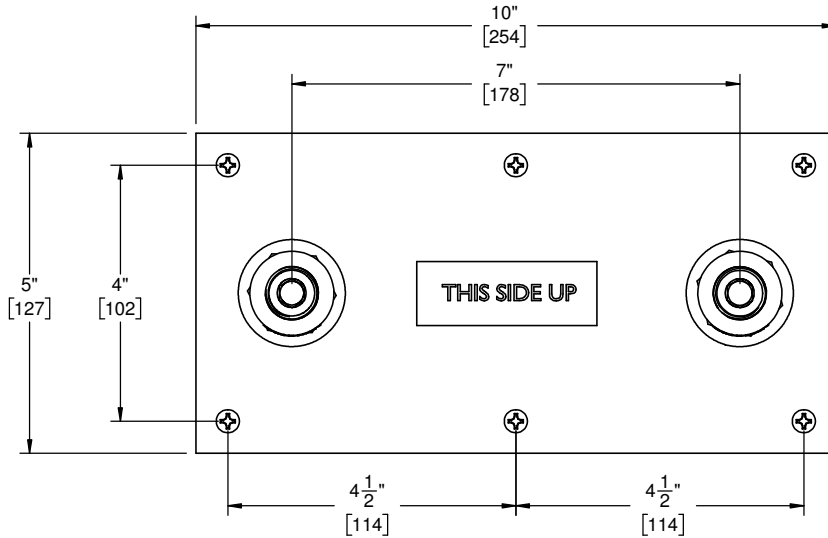
- Provides solid support for installation in concrete or wood subfloor
- 5" x 10" x 1/8" rigid plate with pre-drilled screw holes to mount to underlying wood framing
- Adjustable 4" brass nipples with 3/4" MIP or 3/4" nominal sweat inlets
- Included mudguard, test plugs & screws



Codes/Standards Applicable

- Meets or exceeds the following:
- ASME A112.18.1/CSA B125.1

Compatible Models
0903-XX
1003-XX
1103-XX
1203-XX
1303-XX
1403-XX
8508-XX
8508B-XX
8508W-XX
8608-XX
8608B-XX
8608W-XX



THROUGH-HOLE SPECIFICATIONS		
MIN	RECOMMENDED	MAX
MUDGUARD ϕ 1 5/16"	ϕ 1 3/8"	ϕ 1 1/2"