



California Faucets®

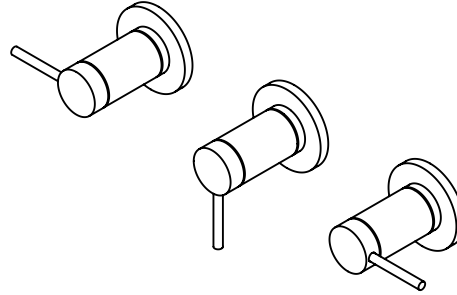
D Street™

THREE HANDLE TUB & SHOWER TRIM

Features

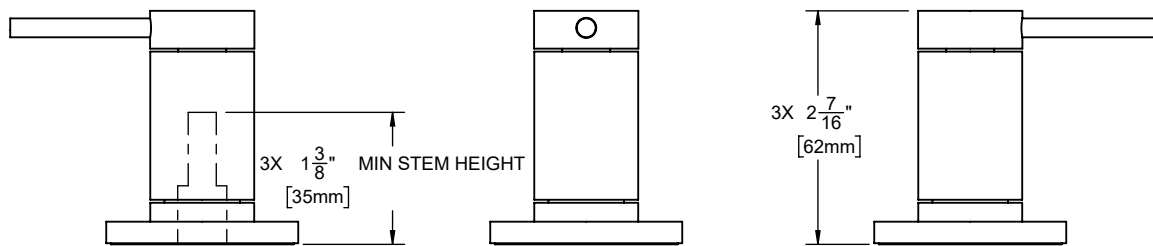
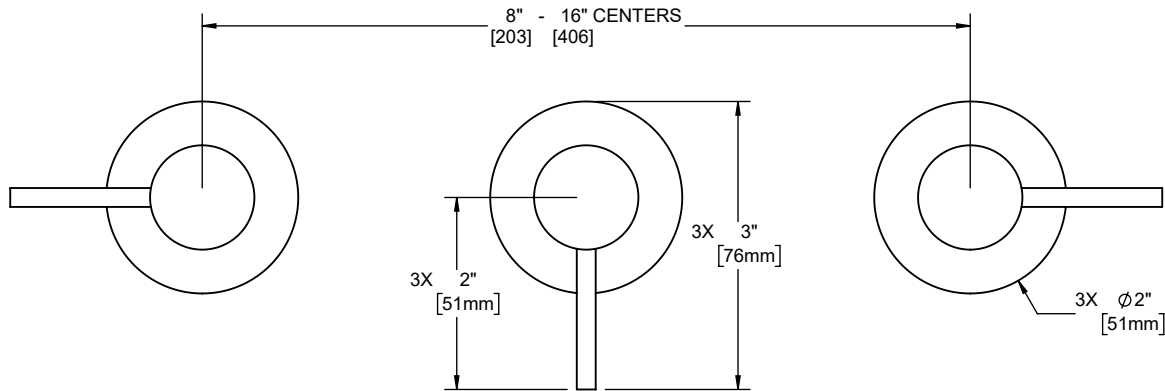
- Available in 28 finishes including 13 PVD finishes
- All brass construction
- Less head, arm, flange, and spout
- Requires rough valve: 3-VR (sold separately)

**TO-5203L
TO-5203FL
TO-5203KL**



Codes/Standards Applicable

- Product meets or exceeds the following:
- ASME A112.18.1/CSA B125.1
 - ADA compliant



THROUGH-HOLE SPECIFICATIONS		
MIN	RECOMMENDED	MAX
Ø 11/16" [17]	Ø 1-1/4" [32]	Ø 1-5/8" [41]

DIMENSIONS SHOWN TO NEAREST 1/16"
[DIMENSIONS SHOWN TO NEAREST 1MM]