

Big Horn

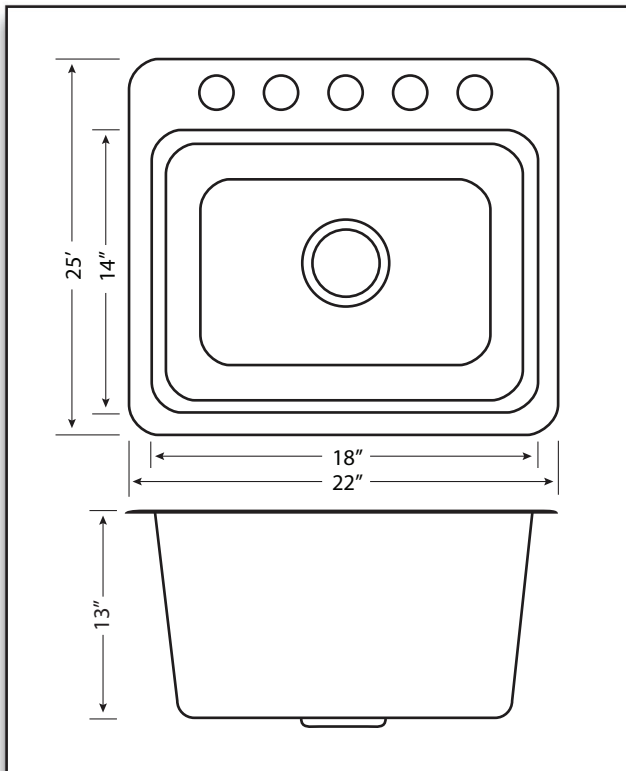
857
UM

25" x 22" Laundry Tray

Available with 5 oversized holes
for undermount installation



Big Horn



Cat. No.	Size	Depth	Ship Wt.
857	25" x 22"	13"	105 lbs.

ACID RESISTANT ENAMEL ON CAST IRON
*Rough-in dimensions may vary 1/4"

