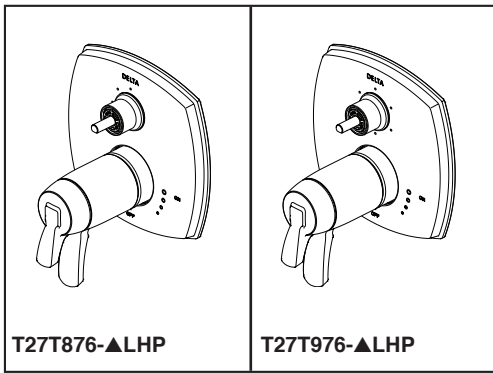




see what Delta can do™

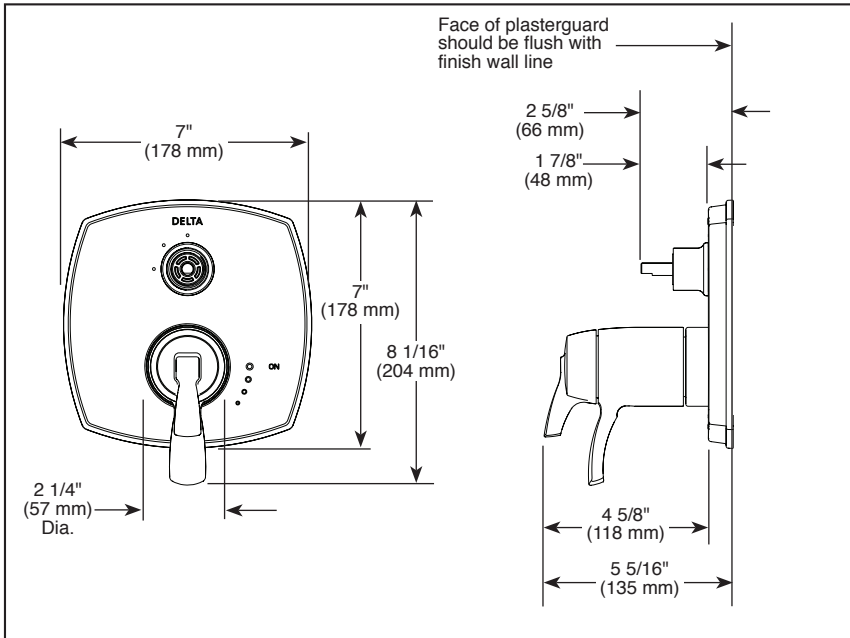
INTEGRATED SHOWER DIVERTER TRIM

- Stryke™ Trim with Three Function Diverter (T27T876-LHP)
- Stryke™ Trim with Six Function Diverter (T27T976-LHP)

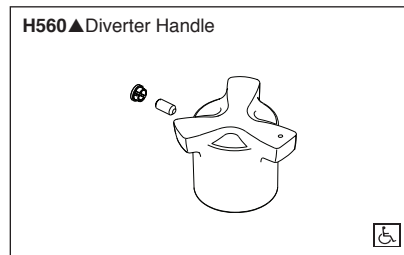
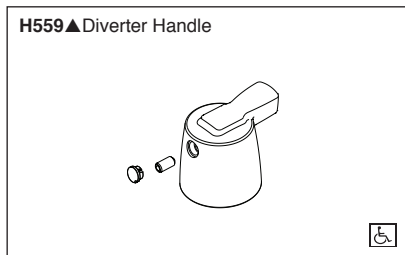


Submitted Model No.: _____

Specific Features: _____



▲ Designate Proper Finish Suffix



FEATURES:

- TempAssure® 17T Thermostatic bath mixing valve trim
- Three or six function diverter

STANDARD SPECIFICATIONS:

- Main control utilizes Thermostatic Valve cartridge
- Thermostatic wax element maintains the outlet temperature to $\pm 3.6^{\circ}\text{F}$
- For use with MultiChoice® Universal integrated shower diverter rough valve body (R22000 Series)
- Maximum system flow rate 7.2 gpm @ 60 psi with R22000
- Top handle controls diverter functions
- Bottom handles (2) control on/off and temperature
- Field adjustable to limit bottom handle rotation into hot water zone
- Bottom handle 90° Maximum rotation
- Red/blue indicator markings
- Three function diverter for 2 individual positions, 1 shared position
- For two individual functions, no shared functions, order additional RP71717
- Six function diverter for 3 individual positions, 3 shared positions
- For three individual functions, no shared functions, order additional RP71718
- 1/2" rough-in
- Cartridges included
- Standard installation allows up to 1-1/8" finished wall thickness
- Thick wall installation kit (RP90544▲) can be ordered to allow for up to 2-1/8" finished wall thickness

WARRANTY

- Lifetime limited warranty on parts (other than electronic parts and batteries) and finishes; or, for commercial users, for 5 years from date of purchase.
- 5 year limited warranty on electronic parts (other than batteries); or, for commercial users, for 1 year from the date of purchase. No warranty is provided on batteries.

COMPLIES WITH:

- ASME A112.18.1 / CSA B125.1
- Indicates compliance to ICC/ANSI A117.1 - Valve control only