



Product specifications

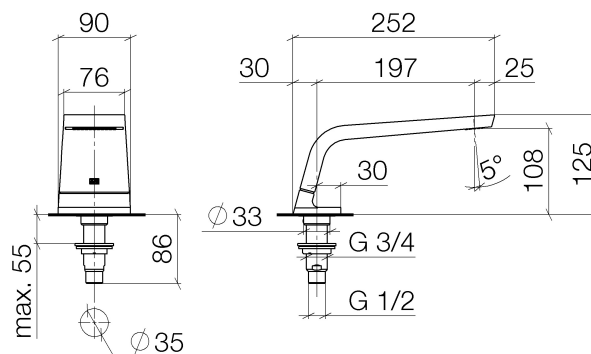
• 7-7/8" Projection

- Rectangular aerator with 55 individual streams
- Total height 4-7/8"
- Height to aerator/spout outlet 4-1/4"
- 1-3/8" hole diameter
- 1/2" connection
- Water flow rate limited to max. 6.3 gpm

Internal backflow preventer.

Surfaces

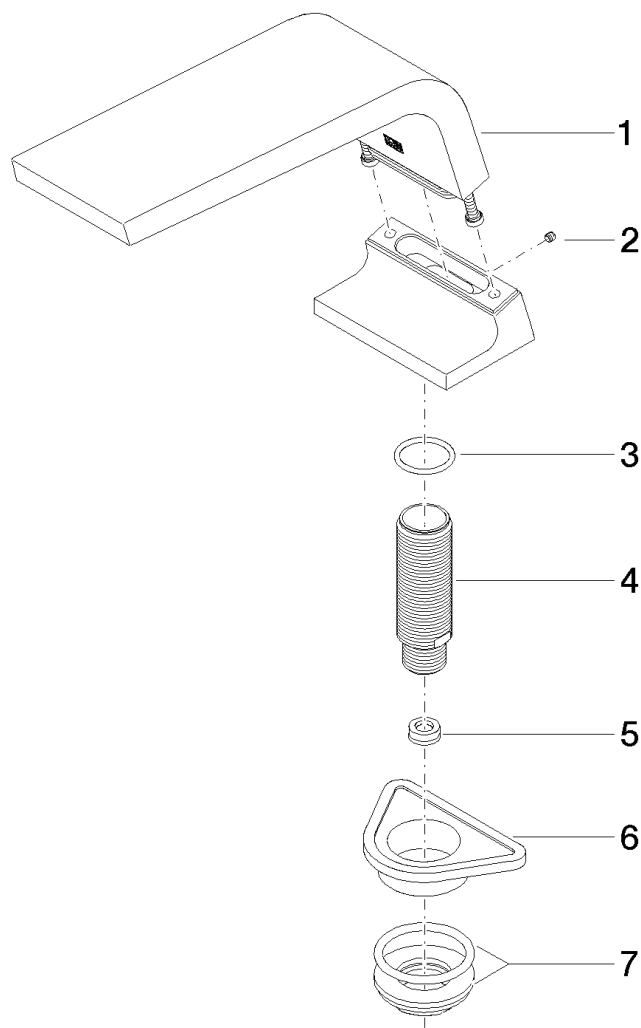
- chrome 13612705-00
- matt platinum 13612705-06



Accessories required

- Hose set; 12 509 970

Exploded assembly drawing



**Order quantity**

No.	Article number	Name	Installation quantity
1	90117000700ff	spout	1
2	09311109990	pin	1
3	09141000990	seal	1
4	09300111790	connection	1
5	09230105790	flow reducer	1
6	09184009090	sleeve	1
7	0423100040390	fixing set	1

Flow rate chart

