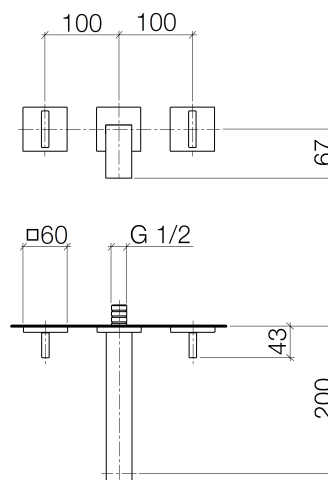


Product specifications

- **200 mm projection**
- fixed spout
- rectangular, air-enriched flow
- hole diameter valve 40 mm
- hole diameter spout 40 mm
- individual rosettes 60 x 60 mm
- max. flow 6 l/min
- lead-free



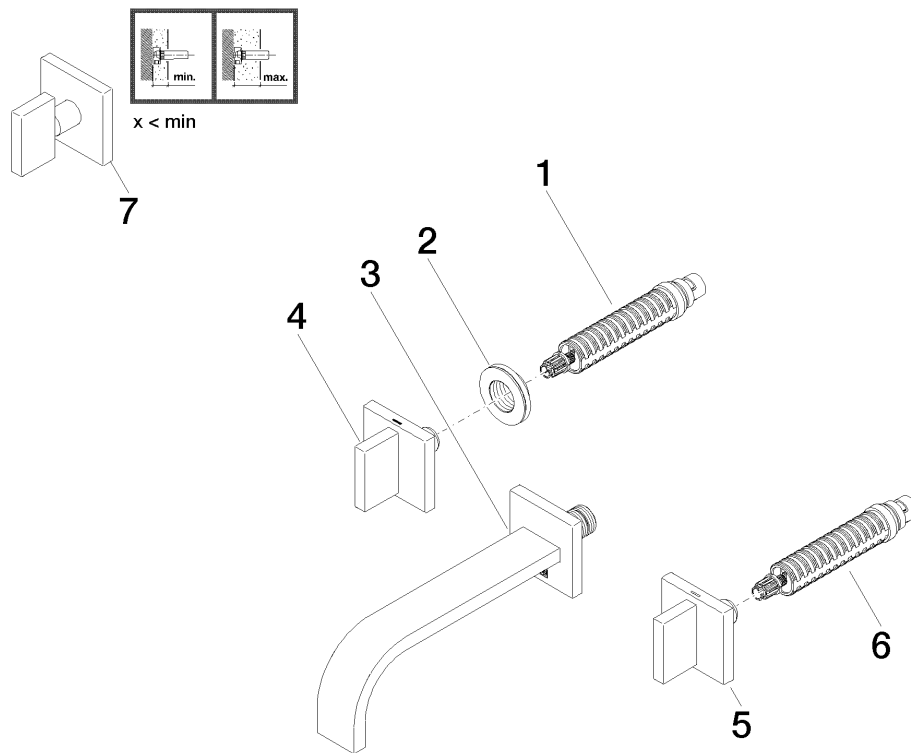
Surfaces

- | | |
|-----------------|-------------|
| • chrome | 36712782-00 |
| • platinum matt | 36712782-06 |
| • platinum | 36712782-08 |
| • Cyprum | 36712782-49 |

Accessories required

- Concealed wall-mounted mixer Centred spout; 35 707 970
- Concealed wall-mounted mixer variable positioning; 35 712 970

Exploded assembly drawing



**Order quantity**

No.	Article number	Name	Installation quantity
1	9090031560090	top	1
2	09210210890	disc	1
3	13800782ff	spout	1
4	90207800207ff	handle (hot)	1
5	90207800206ff	handle (cold)	1
6	9090031570090	top	1
7	04207800201ff	handle	1

Flow rate chart

