



Sink - CL.1

Drain Umbrella drain, can not be closed 1 1/4" - polished chrome

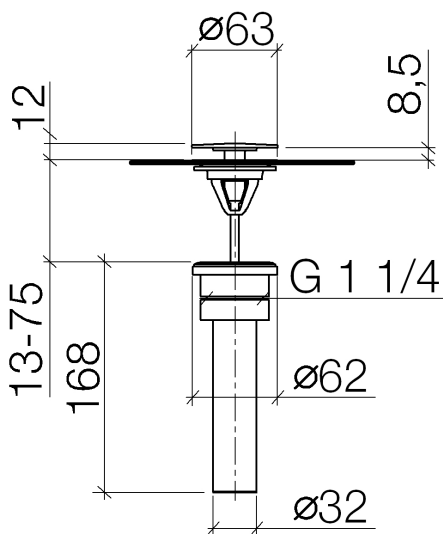
Article number: 10 126 970-00 0010

- Min. basin thickness 5/8"
- can not be closed
- Commonly used with basins without overflow.



polished chrome

Dimensional drawing



All dimensions in mm / inch = mm x 0,0394



Sink - CL.1

Drain Umbrella drain, can not be closed 1 1/4" - polished chrome

Article number: 10 126 970-00 0010



Sink - CL.1

Drain Umbrella drain, can not be closed 1 1/4" - polished chrome

Article number: 10 126 970-00 0010

Other surface finishes



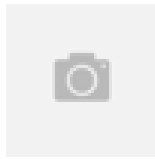
platinum matte

10 126 970-06 0010



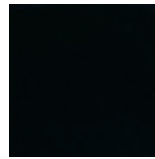
platinum

10 126 970-08 0010



Brushed Durabronze

10 126 970-28 0010



black matte

10 126 970-33 0010



Dark Platinum matte

10 126 970-99 0010

More custom finish options are available via special production (xTra Service). Please see our finish matrix for availability and pricing or contact a Dornbracht representative.

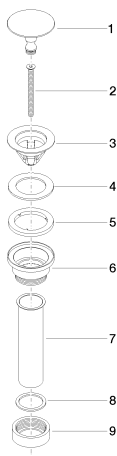


Sink - CL.1

Drain Umbrella drain, can not be closed 1 1/4" - polished chrome

Article number: 10 126 970-00 0010

Spare parts list



Number	Item Number	Designation	Number of units
1	09 31 20 097-00	plug	1
2	09 30 30 179 90	screw	1
3	09 11 01 038-00	cup	1
4	09 14 05 061 90	seal	1
5	09 14 03 153 90	seal	1
6	09 11 10 156-00	connection	1
7	09 28 20 055-00	pipe	1
8	09 14 05 062 90	seal	1
9	09 23 30 073-00	nut	1