



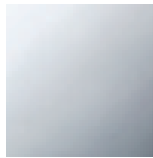
Kitchen - Sync

Single-lever mixer pull-down with spray function - polished chrome

Article number: 33 870 895-00 0010



- 9-1/2" Projection
- Swiveling spout 360°
- Optional restriction, swivels 110°
- Laminar and spray function
- Total height 17-1/2"
- 9-1/2" height to aerator/spout outlet
- 1-3/8" hole diameter
- 2x 10 mm flexible supply lines including 3/8" US adapters
- 59" metal shower hose
- Sprayface with descaling system
- Water flow rate limited to max. 1.5 gpm
- lead-free
- (ADA)
- Internal backflow preventer.
- Push button locks into spray mode when pressed. To switch back to laminar flow the water must be turned off.



polished chrome

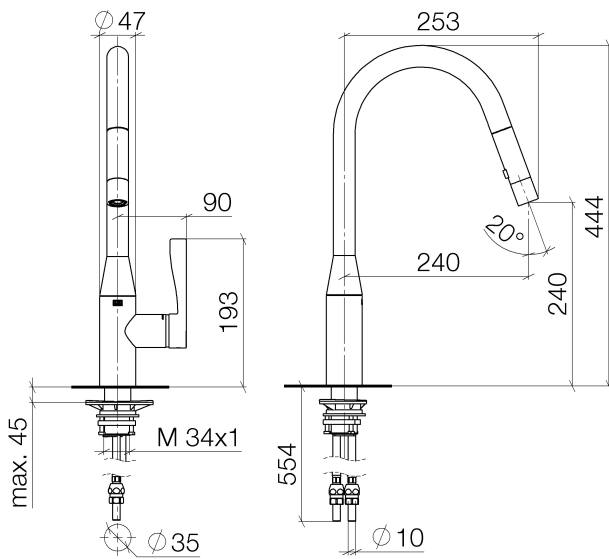


Kitchen - Sync

Single-lever mixer pull-down with spray function - polished chrome

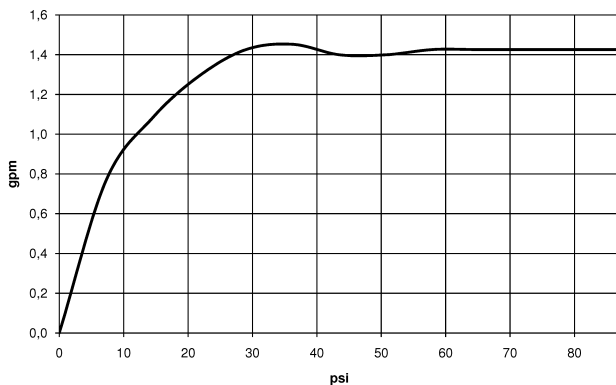
Article number: 33 870 895-00 0010

Dimensional drawing



All dimensions in mm / inch = mm x 0,0394

Flow rate chart





Kitchen - Sync

Single-lever mixer pull-down with spray function - polished chrome

Article number: 33 870 895-00 0010

Other surface finishes



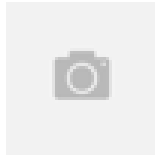
platinum matte

33 870 895-06 0010



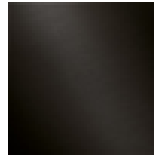
platinum

33 870 895-08 0010



Brushed Durabrass

33 870 895-28 0010



Dark Platinum matte

33 870 895-99 0010

More custom finish options are available via special production (xTra Service). Please see our finish matrix for availability and pricing or contact a Dornbracht representative.

Recommended article



10 713 970-00

AIR SWITCH operating button, trim parts only - polished chrome

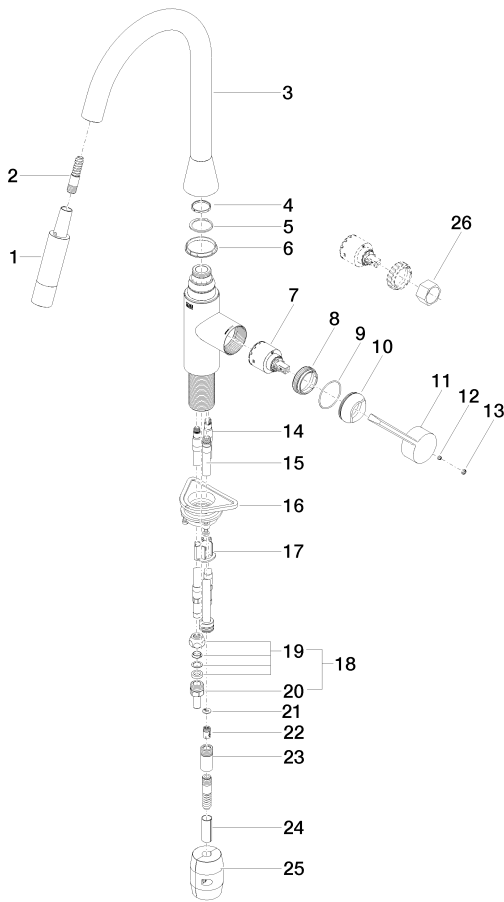


82 424 970-00

Soap dispenser without flange - polished chrome

Kitchen - Sync
 Single-lever mixer pull-down with spray function - polished chrome
 Article number: 33 870 895-00 0010

Spare parts list



Number	Item Number	Designation	Number of units
1	04 12 11 148 00-00	shower	1
2	04 30 02 120 00-00	hose	1
3	90 28 22 302 00-00	spout	1
4	09 28 10 160 90	ring	1
5	09 28 10 162 90	ring	1
6	09 28 10 161 90	ring	1
7	90 15 05 062 00 90	cartridge	1
8	09 23 10 072 90	nut	1
9	09 14 10 190 90	seal	1
10	09 28 30 030-00	cover	1
11	09 20 89 020-00	handle	1
12	09 31 11 063 90	pin	1
13	90 31 20 087 00-00	plug	1
14	04 30 04 098 00 90	hose	2
15	04 28 20 066 00 90	pipe	1
16	04 30 11 040 00 90	fixing set	1
17	09 20 93 056 90	insert	1
18	04 24 04 222 00-00	adaptor	2
19	04 23 30 031 01-07	threaded connector	2
20	09 24 04 222 10-00	adaptor	2
21	09 16 01 023 90	ring	1
22	09 23 01 096 90	back-flow preventer	1
23	90 24 03 253 00 90	adaptor	1
24	09 30 03 038 90	hose	1
25	04 21 50 010 00 90	accessories	1
26	09 30 09 031 90	key	1