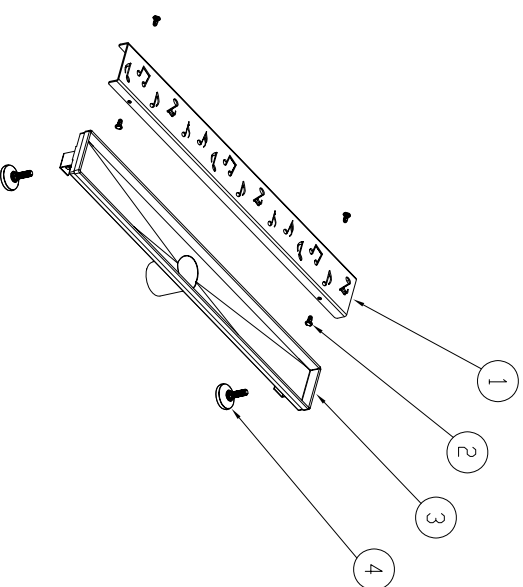


SECTION A-A



Seine Riuer serie

NO	DESCRIPTION	QTY	MATERIAL	SIZE
1	Linear drain cover	1	SUS304	23 3/4"x2 3/4"x3/4"(14G)
2	plastic connectors	4	PP	Ø3/8"x9/16"
3	Linear drain stand	1	SUS304	24"x3"x3 3/8"(18G)
4	mounting brackets	2	composite material	Ø1 7/8"x1 1/16"

Kaiping Dawn Plumbing Products, Inc

Type:	Linear drain	Material:	SUS304
Model:	LSE240304	Feature:	18/8 Chrome-Nickel
Size/Overall:			Polished, Stain Finish
Scale:			
Design:	Ming		
Drawn:	Pu		
Date:	2014-03-27	Logo:	_ Laser-etching
Manufacture Date:		Approved:	