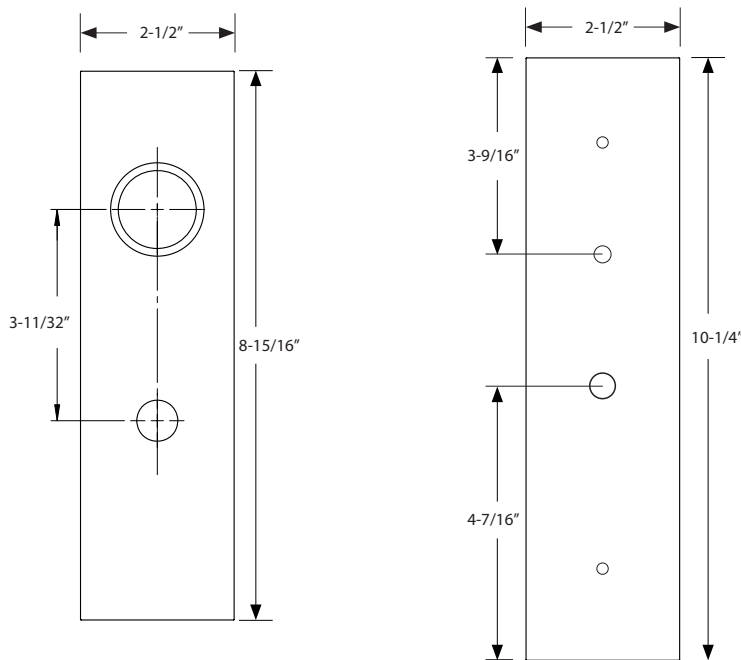


Mormont
Part# 3545



Outside Trim

Inside Trim



Door Thickness Specifications

Standard Door Thickness: 1 3/4"

Standard Components:

- 1 3/8" Threaded Cylinder
- 2" Long Spindle
- 2" Top Rosette Screw
- 1 1/2" Bottom Rosette Screw
- Strikeplate

Extended Door Thickness: 1 7/8" - 2 1/4"

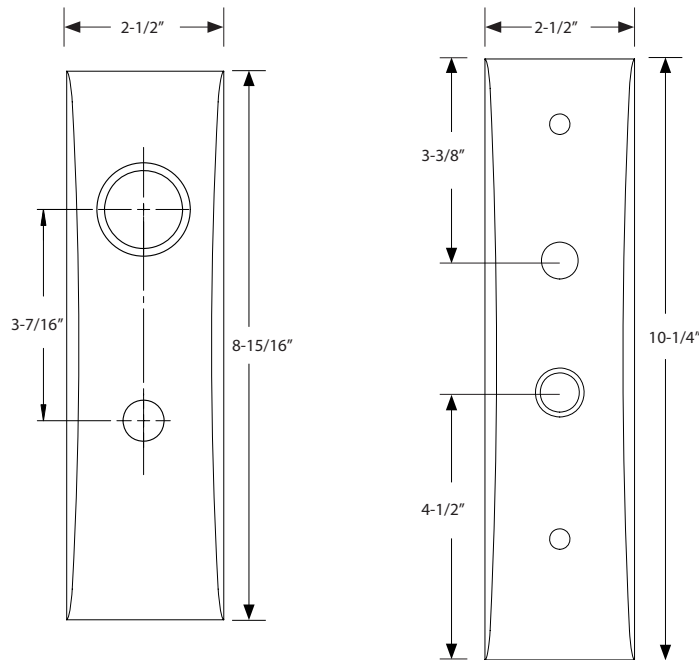
Extended Components:

- 1 1/2" Threaded Cylinder
- 2" Long Spindle
- 2 1/2" Top Rosette Screw
- 2" Bottom Rosette Screw
- Strikeplate

Extended Door Thickness: 2 3/8" - 2 3/4"

Extended Components:

- 1 3/4" Threaded Cylinder
- 2 1/4" Long Spindle
- 2 1/2" Top Rosette Screw
- 2" Bottom Rosette Screw
- Extended Strikeplate



Door Thickness Specifications

Standard Door Thickness: 1 3/4"

Standard Components:

- 1 3/8" Threaded Cylinder
- 2" Long Spindle
- 2" Top Rosette Screw
- 1 1/2" Bottom Rosette Screw
- Strikeplate

Extended Door Thickness: 1 7/8" - 2 1/4"

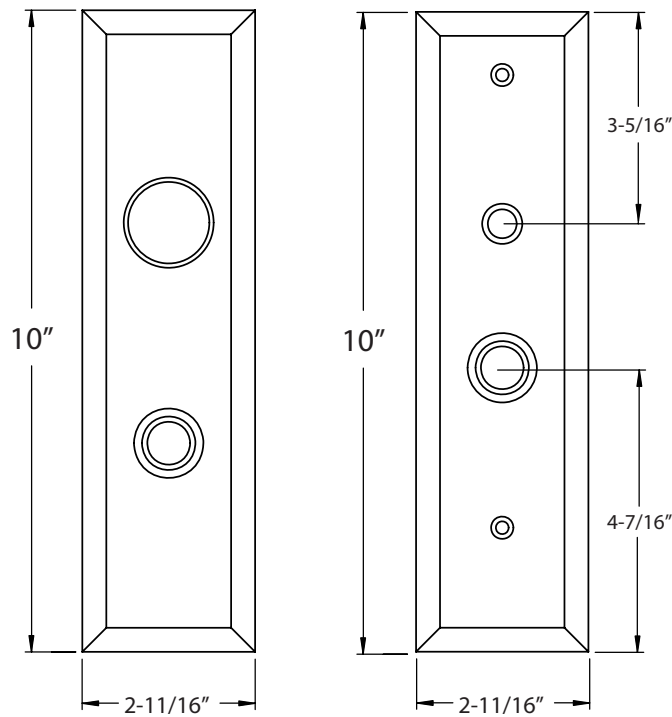
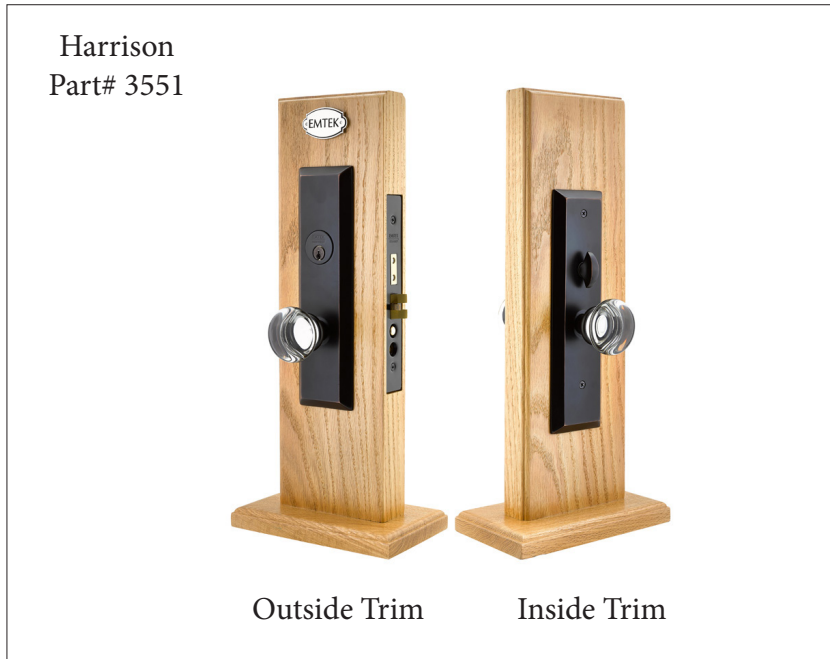
Extended Components:

- 1 1/2" Threaded Cylinder
- 2" Long Spindle
- 2 1/2" Top Rosette Screw
- 2" Bottom Rosette Screw
- Strikeplate

Extended Door Thickness: 2 3/8" - 2 3/4"

Extended Components:

- 1 3/4" Threaded Cylinder
- 2 1/4" Long Spindle
- 2 1/2" Top Rosette Screw
- 2" Bottom Rosette Screw
- Extended Strikeplate



Door Thickness Specifications

Standard Door Thickness: 1 3/4"

Standard Components:

- 1 3/8" Threaded Cylinder
- 2" Long Spindle
- 2" Top Rosette Screw
- 1 1/2" Bottom Rosette Screw
- Strikeplate

Extended Door Thickness: 1 7/8" - 2 1/4"

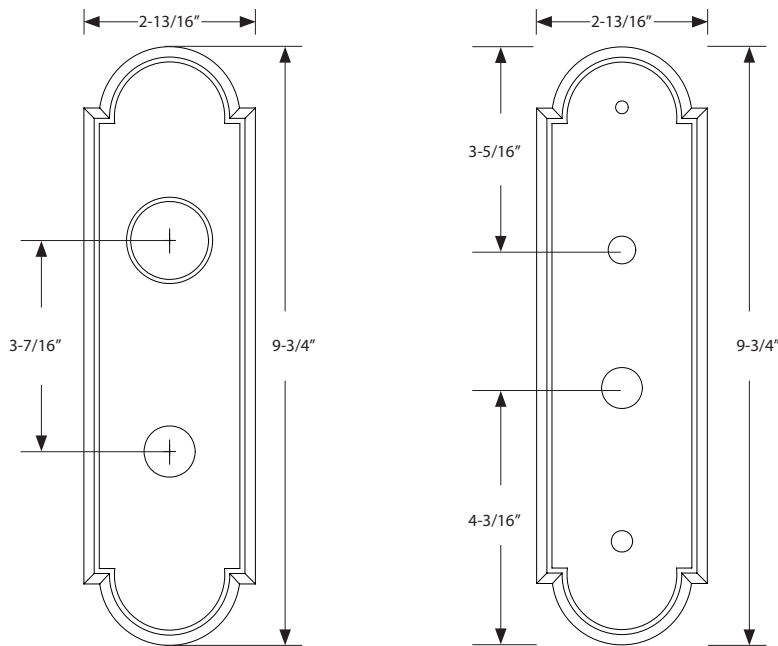
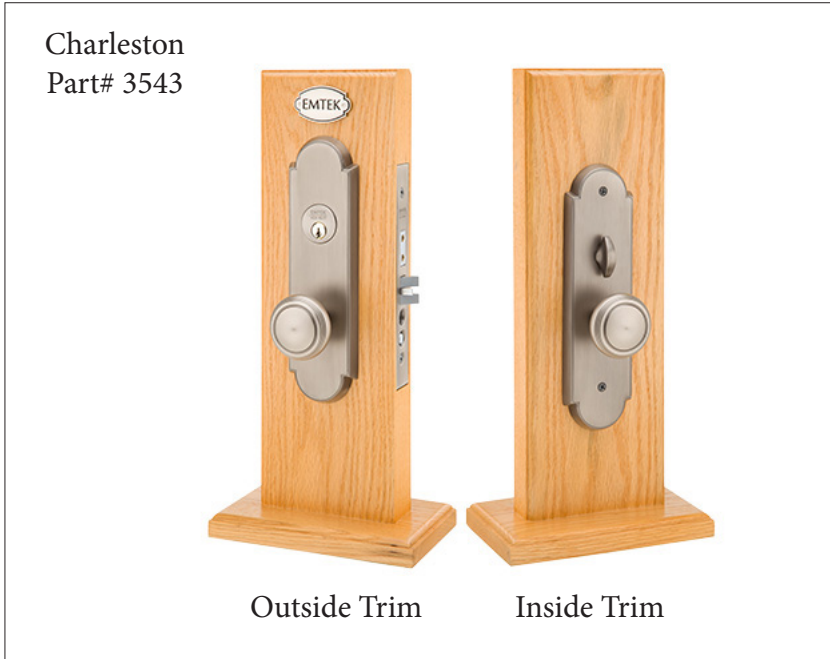
Extended Components:

- 1 1/2" Threaded Cylinder
- 2" Long Spindle
- 2 1/2" Top Rosette Screw
- 2" Bottom Rosette Screw
- Strikeplate

Extended Door Thickness: 2 3/8" - 2 3/4"

Extended Components:

- 1 3/4" Threaded Cylinder
- 2 1/4" Long Spindle
- 2 1/2" Top Rosette Screw
- 2" Bottom Rosette Screw
- Extended Strikeplate



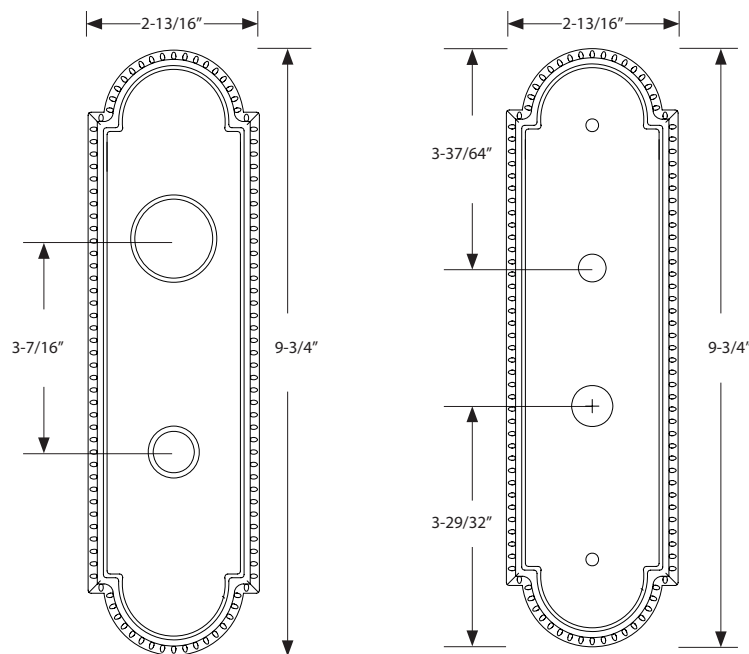
Door Thickness Specifications		
<p>Standard Door Thickness: 1 3/4"</p> <p>Standard Components:</p> <ul style="list-style-type: none"> • 1 3/8" Threaded Cylinder • 2" Long Spindle • 2" Top Rosette Screw • 1 1/2" Bottom Rosette Screw • Strikeplate 	<p>Extended Door Thickness: 1 7/8" - 2 1/4"</p> <p>Extended Components:</p> <ul style="list-style-type: none"> • 1 1/2" Threaded Cylinder • 2" Long Spindle • 2 1/2" Top Rosette Screw • 2" Bottom Rosette Screw • Strikeplate 	<p>Extended Door Thickness: 2 3/8" - 2 3/4"</p> <p>Extended Components:</p> <ul style="list-style-type: none"> • 1 3/4" Threaded Cylinder • 2 1/4" Long Spindle • 2 1/2" Top Rosette Screw • 2" Bottom Rosette Screw • Extended Strikeplate

Hamilton
Part# 3504



Outside Trim

Inside Trim



Door Thickness Specifications

Standard Door Thickness: 1 3/4"

Standard Components:

- 1 3/8" Threaded Cylinder
- 2" Long Spindle
- 2" Top Rosette Screw
- 1 1/2" Bottom Rosette Screw
- Strikeplate

Extended Door Thickness: 1 7/8" - 2 1/4"

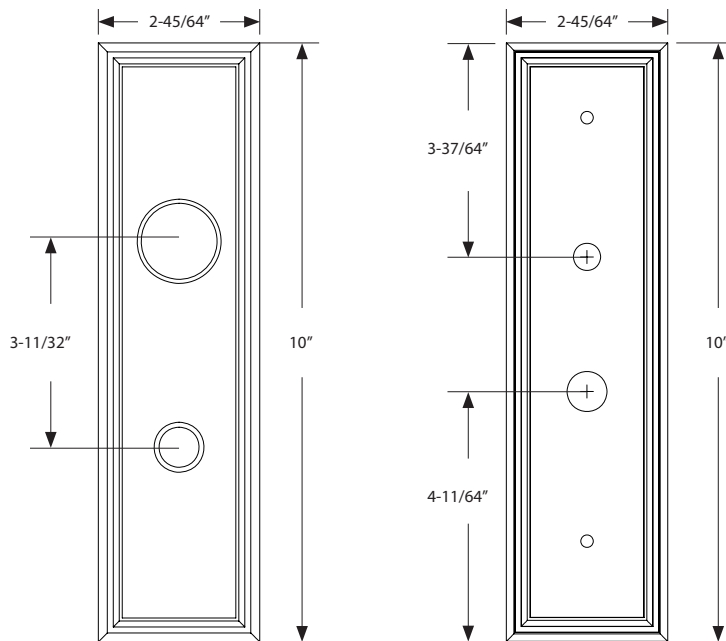
Extended Components:

- 1 1/2" Threaded Cylinder
- 2" Long Spindle
- 2 1/2" Top Rosette Screw
- 2" Bottom Rosette Screw
- Strikeplate

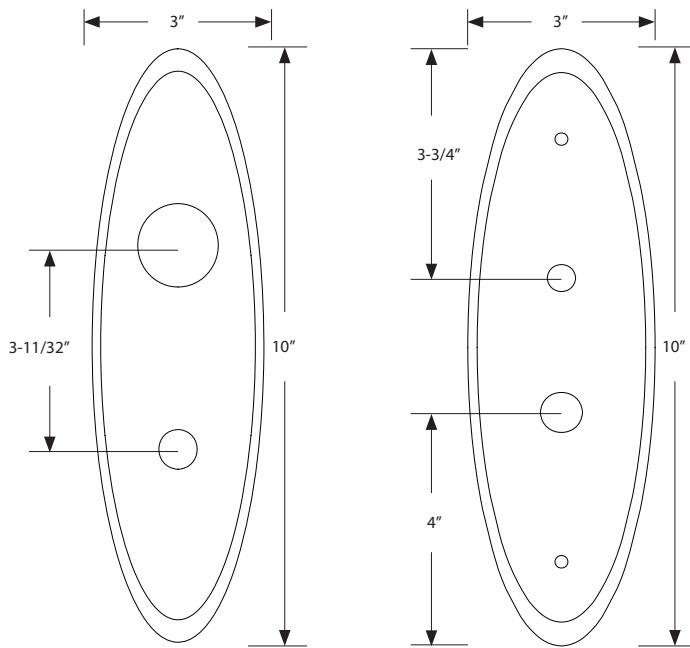
Extended Door Thickness: 2 3/8" - 2 3/4"

Extended Components:

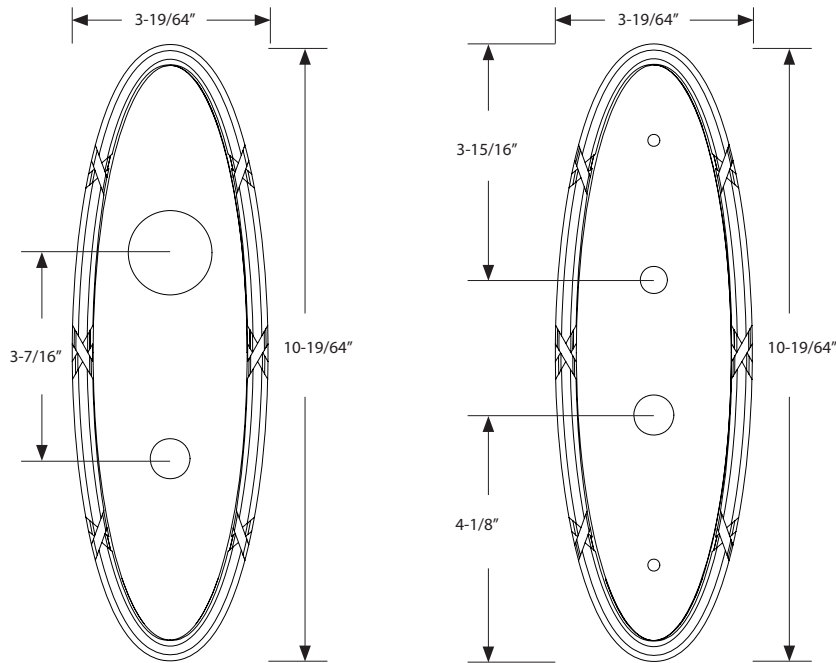
- 1 3/4" Threaded Cylinder
- 2 1/4" Long Spindle
- 2 1/2" Top Rosette Screw
- 2" Bottom Rosette Screw
- Extended Strikeplate



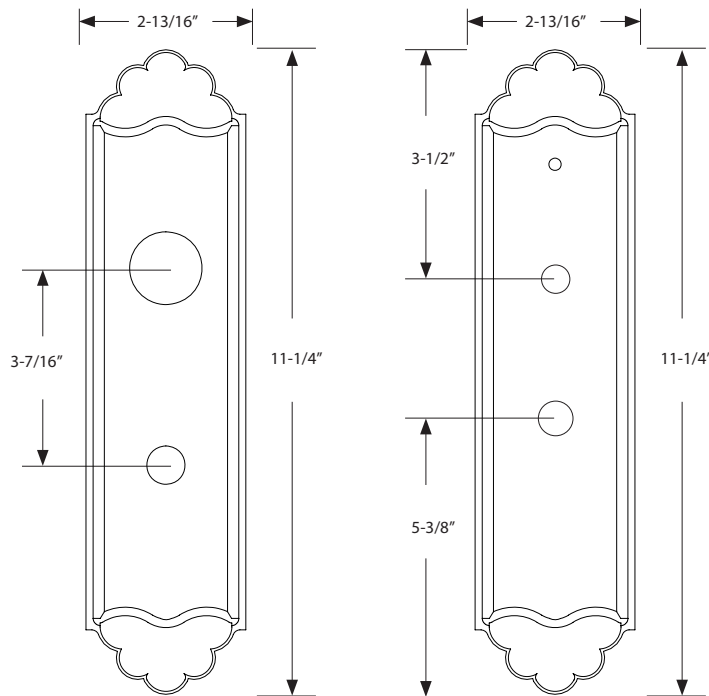
Door Thickness Specifications		
<p>Standard Door Thickness: 1 3/4"</p> <p>Standard Components:</p> <ul style="list-style-type: none"> • 1 3/8" Threaded Cylinder • 2" Long Spindle • 2" Top Rosette Screw • 1 1/2" Bottom Rosette Screw • Strikeplate 	<p>Extended Door Thickness: 1 7/8" - 2 1/4"</p> <p>Extended Components:</p> <ul style="list-style-type: none"> • 1 1/2" Threaded Cylinder • 2" Long Spindle • 2 1/2" Top Rosette Screw • 2" Bottom Rosette Screw • Strikeplate 	<p>Extended Door Thickness: 2 3/8" - 2 3/4"</p> <p>Extended Components:</p> <ul style="list-style-type: none"> • 1 3/4" Threaded Cylinder • 2 1/4" Long Spindle • 2 1/2" Top Rosette Screw • 2" Bottom Rosette Screw • Extended Strikeplate



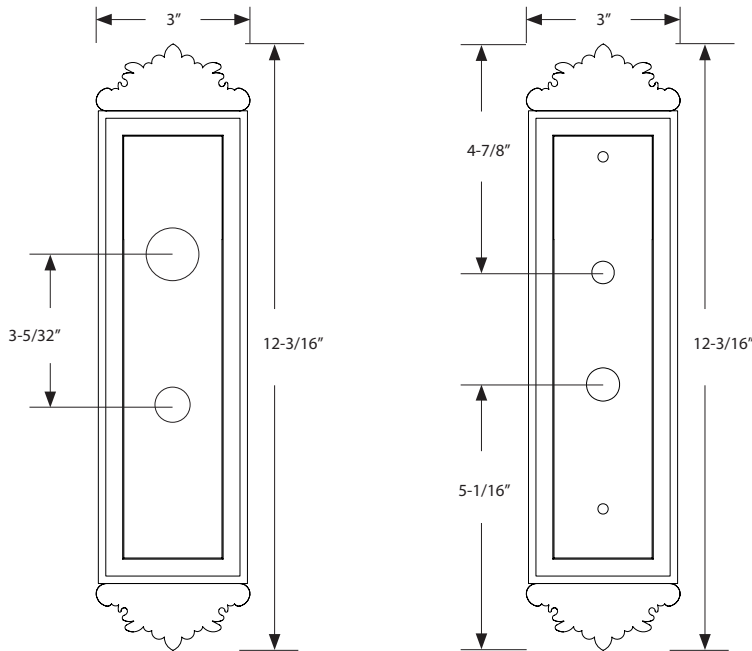
Door Thickness Specifications		
<p>Standard Door Thickness: 1 3/4"</p> <p>Standard Components:</p> <ul style="list-style-type: none"> • 1 3/8" Threaded Cylinder • 2" Long Spindle • 2" Top Rosette Screw • 1 1/2" Bottom Rosette Screw • Strikeplate 	<p>Extended Door Thickness: 1 7/8" - 2 1/4"</p> <p>Extended Components:</p> <ul style="list-style-type: none"> • 1 1/2" Threaded Cylinder • 2" Long Spindle • 2 1/2" Top Rosette Screw • 2" Bottom Rosette Screw • Strikeplate 	<p>Extended Door Thickness: 2 3/8" - 2 3/4"</p> <p>Extended Components:</p> <ul style="list-style-type: none"> • 1 3/4" Threaded Cylinder • 2 1/4" Long Spindle • 2 1/2" Top Rosette Screw • 2" Bottom Rosette Screw • Extended Strikeplate



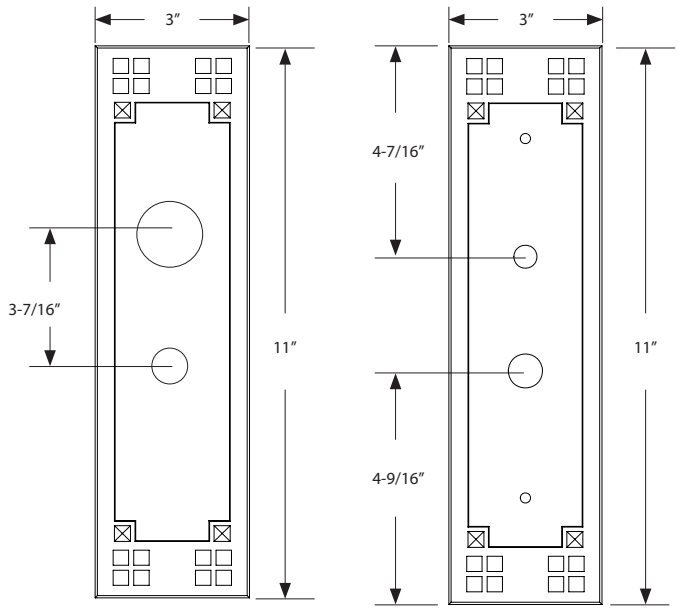
Door Thickness Specifications		
<p>Standard Door Thickness: 1 3/4"</p> <p>Standard Components:</p> <ul style="list-style-type: none"> • 1 3/8" Threaded Cylinder • 2" Long Spindle • 2" Top Rosette Screw • 1 1/2" Bottom Rosette Screw • Strikeplate 	<p>Extended Door Thickness: 1 7/8" - 2 1/4"</p> <p>Extended Components:</p> <ul style="list-style-type: none"> • 1 1/2" Threaded Cylinder • 2" Long Spindle • 2 1/2" Top Rosette Screw • 2" Bottom Rosette Screw • Strikeplate 	<p>Extended Door Thickness: 2 3/8" - 2 3/4"</p> <p>Extended Components:</p> <ul style="list-style-type: none"> • 1 3/4" Threaded Cylinder • 2 1/4" Long Spindle • 2 1/2" Top Rosette Screw • 2" Bottom Rosette Screw • Extended Strikeplate



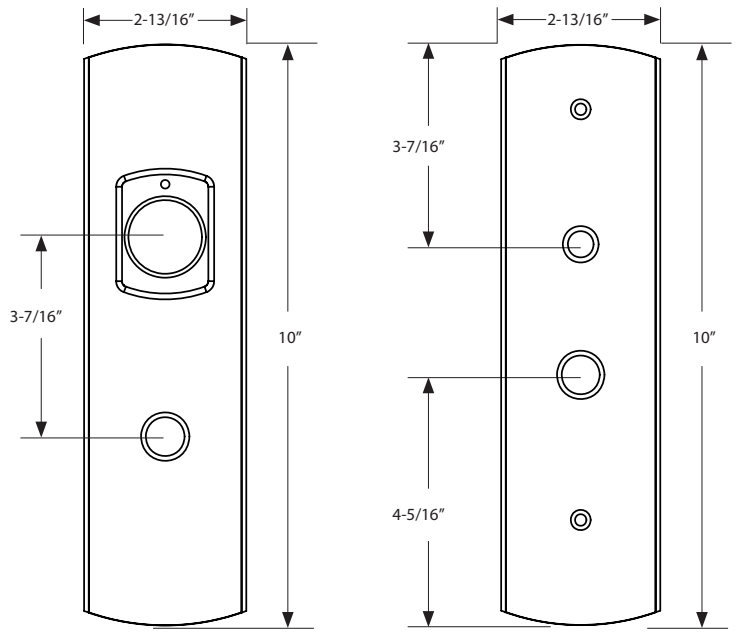
Door Thickness Specifications		
<p>Standard Door Thickness: 1 3/4"</p> <p>Standard Components:</p> <ul style="list-style-type: none"> • 1 3/8" Threaded Cylinder • 2" Long Spindle • 2" Top Rosette Screw • 1 1/2" Bottom Rosette Screw • Strikeplate 	<p>Extended Door Thickness: 1 7/8" - 2 1/4"</p> <p>Extended Components:</p> <ul style="list-style-type: none"> • 1 1/2" Threaded Cylinder • 2" Long Spindle • 2 1/2" Top Rosette Screw • 2" Bottom Rosette Screw • Strikeplate 	<p>Extended Door Thickness: 2 3/8" - 2 3/4"</p> <p>Extended Components:</p> <ul style="list-style-type: none"> • 1 3/4" Threaded Cylinder • 2 1/4" Long Spindle • 2 1/2" Top Rosette Screw • 2" Bottom Rosette Screw • Extended Strikeplate



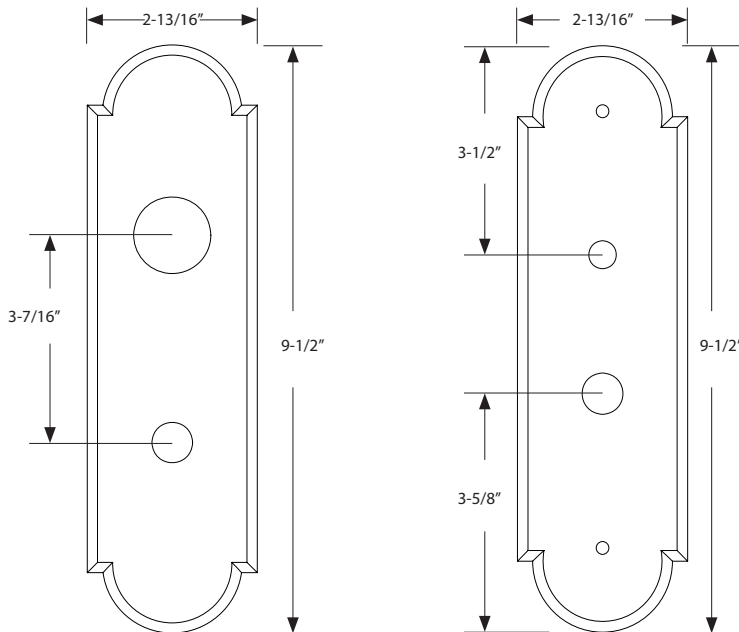
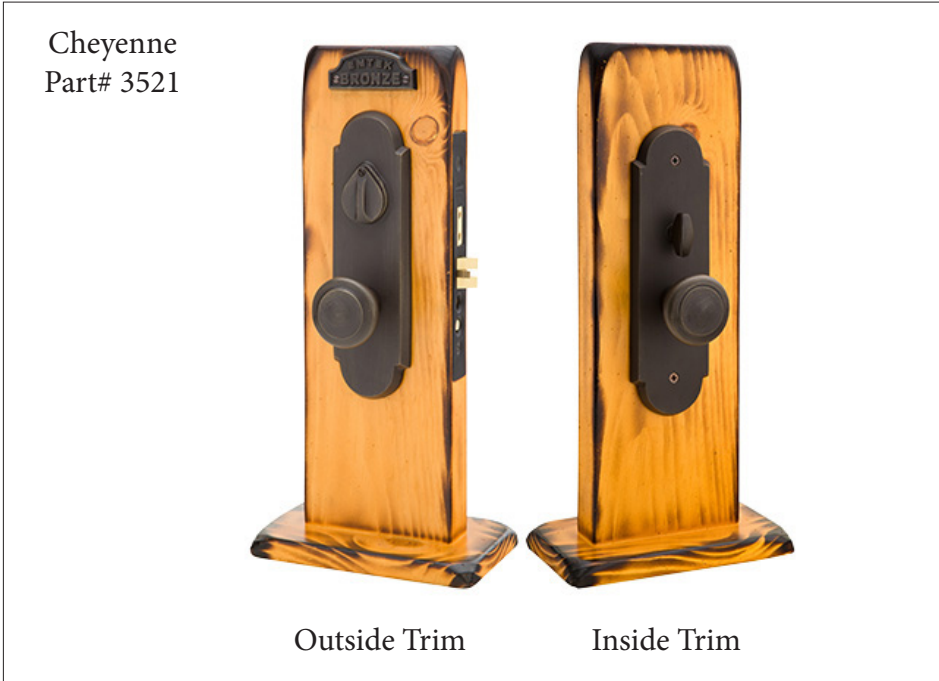
Door Thickness Specifications		
<p>Standard Door Thickness: 1 3/4"</p> <p>Standard Components:</p> <ul style="list-style-type: none"> • 1 3/8" Threaded Cylinder • 2" Long Spindle • 2" Top Rosette Screw • 1 1/2" Bottom Rosette Screw • Strikeplate 	<p>Extended Door Thickness: 1 7/8" - 2 1/4"</p> <p>Extended Components:</p> <ul style="list-style-type: none"> • 1 1/2" Threaded Cylinder • 2" Long Spindle • 2 1/2" Top Rosette Screw • 2" Bottom Rosette Screw • Strikeplate 	<p>Extended Door Thickness: 2 3/8" - 2 3/4"</p> <p>Extended Components:</p> <ul style="list-style-type: none"> • 1 3/4" Threaded Cylinder • 2 1/4" Long Spindle • 2 1/2" Top Rosette Screw • 2" Bottom Rosette Screw • Extended Strikeplate



Door Thickness Specifications		
<p>Standard Door Thickness: 1 3/4"</p> <p>Standard Components:</p> <ul style="list-style-type: none"> • 1 3/8" Threaded Cylinder • 2" Long Spindle • 2" Top Rosette Screw • 1 1/2" Bottom Rosette Screw • Strikeplate 	<p>Extended Door Thickness: 1 7/8" - 2 1/4"</p> <p>Extended Components:</p> <ul style="list-style-type: none"> • 1 1/2" Threaded Cylinder • 2" Long Spindle • 2 1/2" Top Rosette Screw • 2" Bottom Rosette Screw • Strikeplate 	<p>Extended Door Thickness: 2 3/8" - 2 3/4"</p> <p>Extended Components:</p> <ul style="list-style-type: none"> • 1 3/4" Threaded Cylinder • 2 1/4" Long Spindle • 2 1/2" Top Rosette Screw • 2" Bottom Rosette Screw • Extended Strikeplate

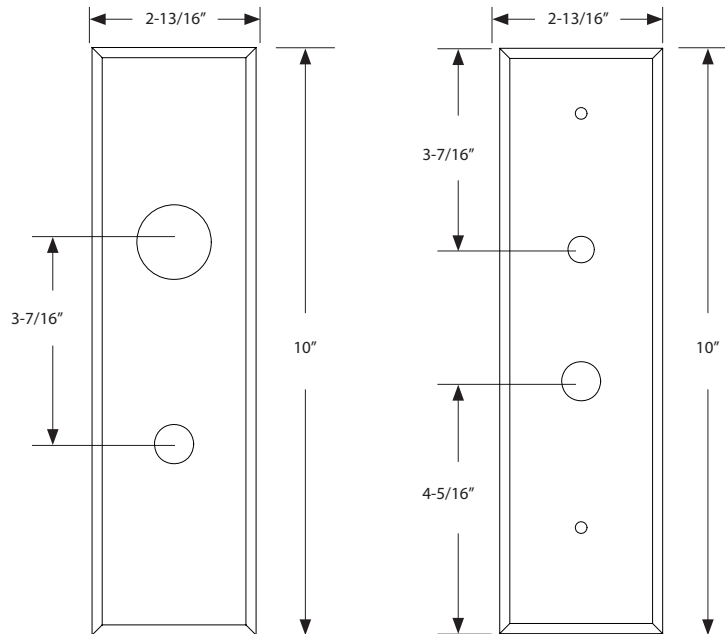


Door Thickness Specifications		
<p>Standard Door Thickness: 1 3/4"</p> <p>Standard Components:</p> <ul style="list-style-type: none"> • 1 3/8" Threaded Cylinder • 2" Long Spindle • 2" Top Rosette Screw • 1 1/2" Bottom Rosette Screw • Strikeplate 	<p>Extended Door Thickness: 1 7/8" - 2 1/4"</p> <p>Extended Components:</p> <ul style="list-style-type: none"> • 1 1/2" Threaded Cylinder • 2" Long Spindle • 2 1/2" Top Rosette Screw • 2" Bottom Rosette Screw • Strikeplate 	<p>Extended Door Thickness: 2 3/8" - 2 5/8"</p> <p>Extended Components:</p> <ul style="list-style-type: none"> • 1 3/4" Threaded Cylinder • 2 1/4" Long Spindle • 2 1/2" Top Rosette Screw • 2" Bottom Rosette Screw • Extended Strikeplate • 2 3/4" TD Requires 2" Threaded Cylinder



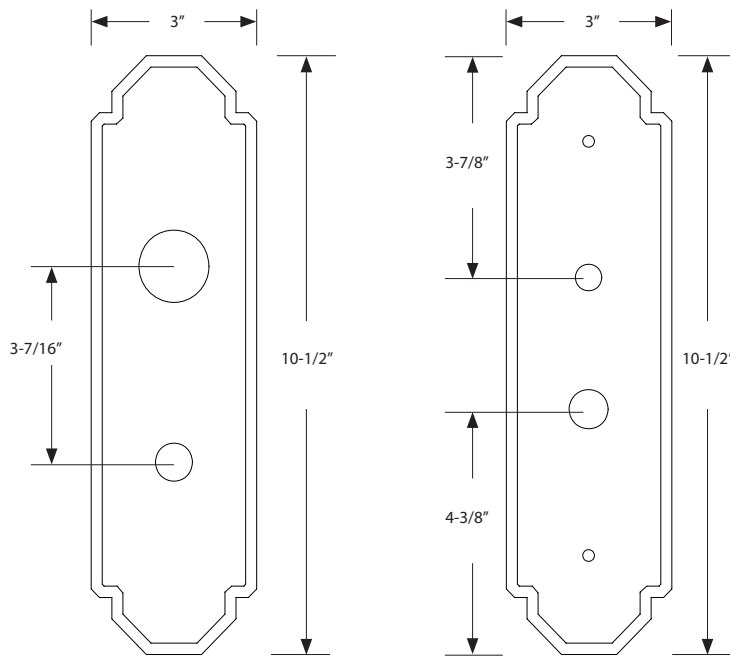
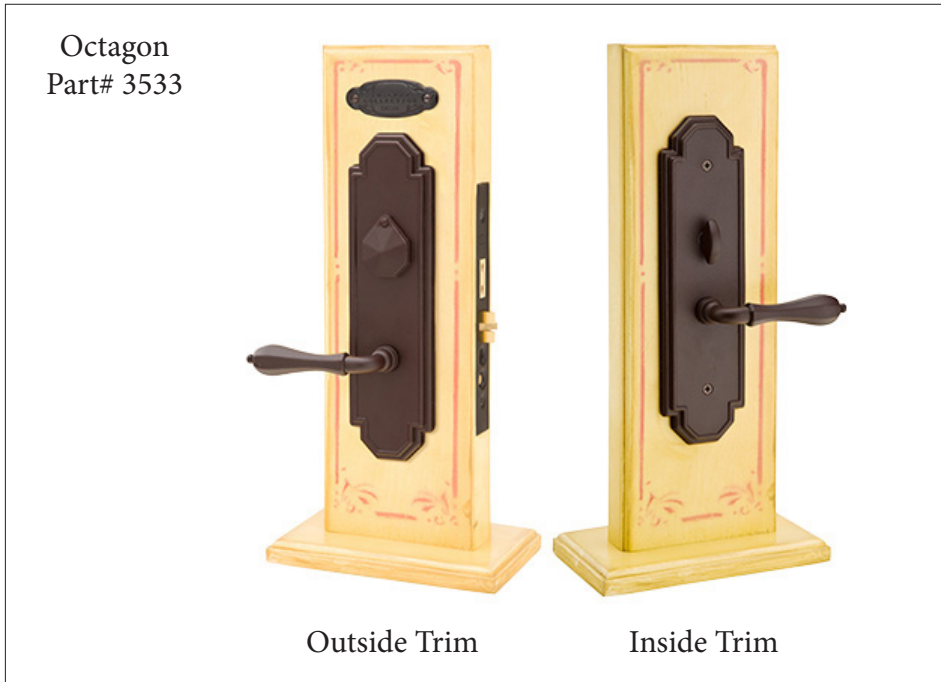
Door Thickness Specifications

<p>Standard Door Thickness: 1 3/4"</p> <p>Standard Components:</p> <ul style="list-style-type: none"> • 1 3/8" Threaded Cylinder • 2" Long Spindle • 2" Top Rosette Screw • 1 1/2" Bottom Rosette Screw • Strikeplate 	<p>Extended Door Thickness: 1 7/8" - 2 1/4"</p> <p>Extended Components:</p> <ul style="list-style-type: none"> • 1 1/2" Threaded Cylinder • 2" Long Spindle • 2 1/2" Top Rosette Screw • 2" Bottom Rosette Screw • Strikeplate 	<p>Extended Door Thickness: 2 3/8" - 2 5/8"</p> <p>Extended Components:</p> <ul style="list-style-type: none"> • 1 3/4" Threaded Cylinder • 2 1/4" Long Spindle • 2 1/2" Top Rosette Screw • 2" Bottom Rosette Screw • Extended Strikeplate • 2 3/4" TD Requires 2" Threaded Cylinder
---	--	---



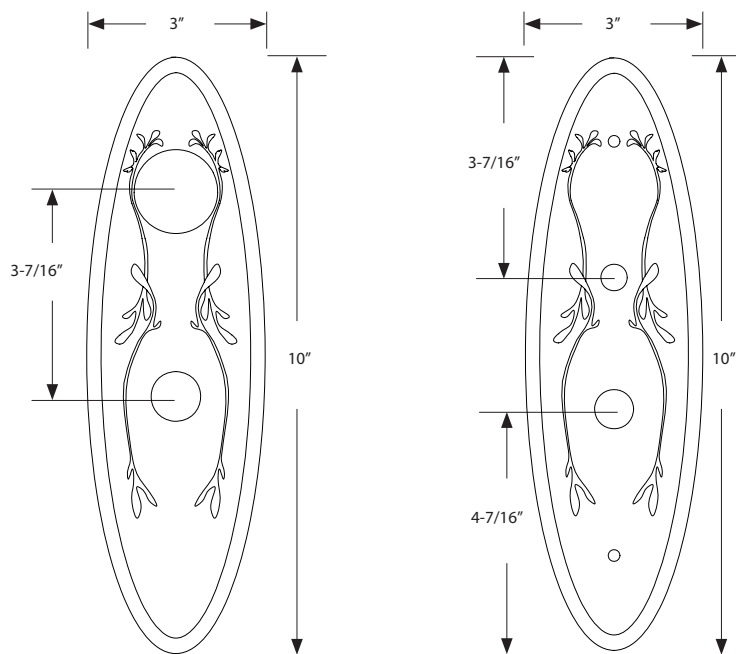
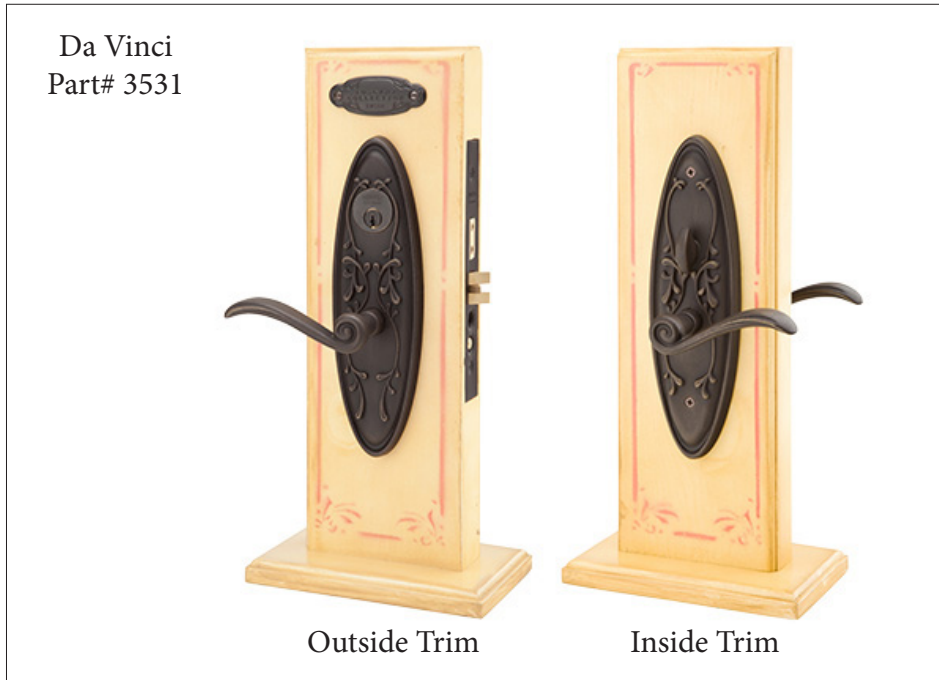
Door Thickness Specifications

<p>Standard Door Thickness: 1 3/4"</p> <p>Standard Components:</p> <ul style="list-style-type: none"> • 1 3/8" Threaded Cylinder • 2" Long Spindle • 2" Top Rosette Screw • 1 1/2" Bottom Rosette Screw • Strikeplate 	<p>Extended Door Thickness: 1 7/8" - 2 1/4"</p> <p>Extended Components:</p> <ul style="list-style-type: none"> • 1 1/2" Threaded Cylinder • 2" Long Spindle • 2 1/2" Top Rosette Screw • 2" Bottom Rosette Screw • Strikeplate 	<p>Extended Door Thickness: 2 3/8" - 2 5/8"</p> <p>Extended Components:</p> <ul style="list-style-type: none"> • 1 3/4" Threaded Cylinder • 2 1/4" Long Spindle • 2 1/2" Top Rosette Screw • 2" Bottom Rosette Screw • Extended Strikeplate • 2 3/4" TD Requires 2" Threaded Cylinder
---	--	---



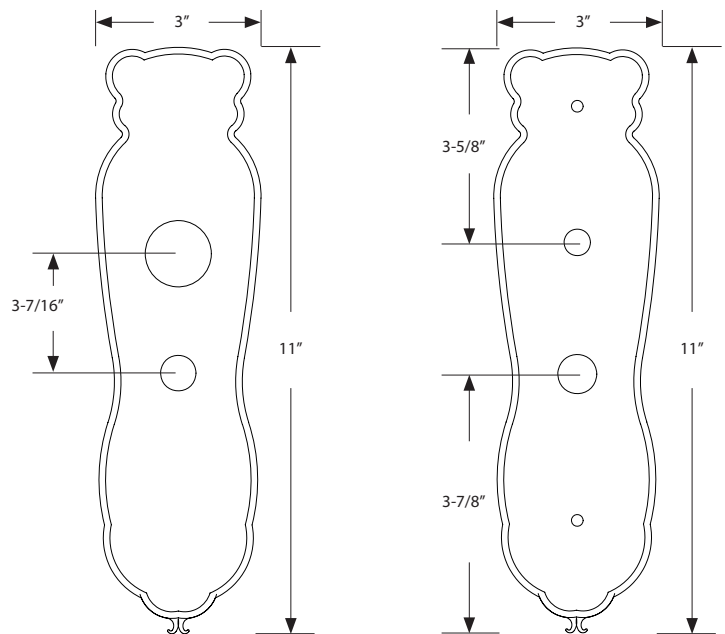
Door Thickness Specifications

Standard Door Thickness: 1 3/4"	Extended Door Thickness: 1 7/8" - 2 1/4"	Extended Door Thickness: 2 3/8" - 2 5/8"
<p>Standard Components:</p> <ul style="list-style-type: none"> • 1 3/8" Threaded Cylinder • 2" Long Spindle • 2" Top Rosette Screw • 1 1/2" Bottom Rosette Screw • Strikeplate 	<p>Extended Components:</p> <ul style="list-style-type: none"> • 1 1/2" Threaded Cylinder • 2" Long Spindle • 2 1/2" Top Rosette Screw • 2" Bottom Rosette Screw • Strikeplate 	<p>Extended Components:</p> <ul style="list-style-type: none"> • 1 3/4" Threaded Cylinder • 2 1/4" Long Spindle • 2 1/2" Top Rosette Screw • 2" Bottom Rosette Screw • Extended Strikeplate • 2 3/4" TD Requires 2" Threaded Cylinder



Door Thickness Specifications

<p>Standard Door Thickness: 1 3/4"</p> <p>Standard Components:</p> <ul style="list-style-type: none"> • 1 3/8" Threaded Cylinder • 2" Long Spindle • 2" Top Rosette Screw • 1 1/2" Bottom Rosette Screw • Strikeplate 	<p>Extended Door Thickness: 1 7/8" - 2 1/4"</p> <p>Extended Components:</p> <ul style="list-style-type: none"> • 1 1/2" Threaded Cylinder • 2" Long Spindle • 2 1/2" Top Rosette Screw • 2" Bottom Rosette Screw • Strikeplate 	<p>Extended Door Thickness: 2 3/8" - 2 5/8"</p> <p>Extended Components:</p> <ul style="list-style-type: none"> • 1 3/4" Threaded Cylinder • 2 1/4" Long Spindle • 2 1/2" Top Rosette Screw • 2" Bottom Rosette Screw • Extended Strikeplate • 2 3/4" TD Requires 2" Threaded Cylinder
---	--	---



Door Thickness Specifications

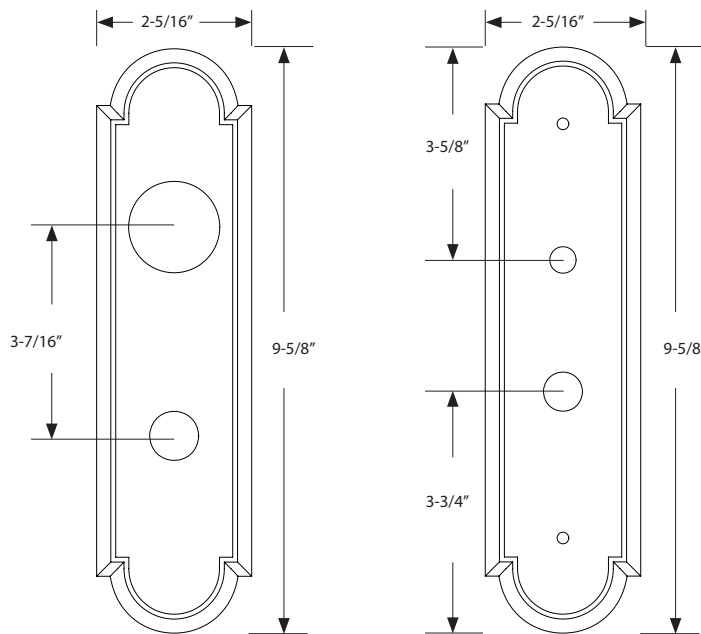
<p>Standard Door Thickness: 1 3/4"</p> <p>Standard Components:</p> <ul style="list-style-type: none"> • 1 3/8" Threaded Cylinder • 2" Long Spindle • 2" Top Rosette Screw • 1 1/2" Bottom Rosette Screw • Strikeplate 	<p>Extended Door Thickness: 1 7/8" - 2 1/4"</p> <p>Extended Components:</p> <ul style="list-style-type: none"> • 1 1/2" Threaded Cylinder • 2" Long Spindle • 2 1/2" Top Rosette Screw • 2" Bottom Rosette Screw • Strikeplate 	<p>Extended Door Thickness: 2 3/8" - 2 5/8"</p> <p>Extended Components:</p> <ul style="list-style-type: none"> • 1 3/4" Threaded Cylinder • 2 1/4" Long Spindle • 2 1/2" Top Rosette Screw • 2" Bottom Rosette Screw • Extended Strikeplate • 2 3/4" TD Requires 2" Threaded Cylinder
---	--	---

Wrought Steel
Part# 3511



Outside Trim

Inside Trim



Door Thickness Specifications

Standard Door Thickness: 1 3/4"

Standard Components:

- 1 3/8" Threaded Cylinder
- 2" Long Spindle
- 2" Top Rosette Screw
- 1 1/2" Bottom Rosette Screw
- Strikeplate

Extended Door Thickness: 1 7/8" - 2 1/4"

Extended Components:

- 1 1/2" Threaded Cylinder
- 2" Long Spindle
- 2 1/2" Top Rosette Screw
- 2" Bottom Rosette Screw
- Strikeplate

Extended Door Thickness: 2 3/8" - 2 5/8"

Extended Components:

- 1 3/4" Threaded Cylinder
- 2 1/4" Long Spindle
- 2 1/2" Top Rosette Screw
- 2" Bottom Rosette Screw
- Extended Strikeplate
- **2 3/4" TD Requires 2" Threaded Cylinder**