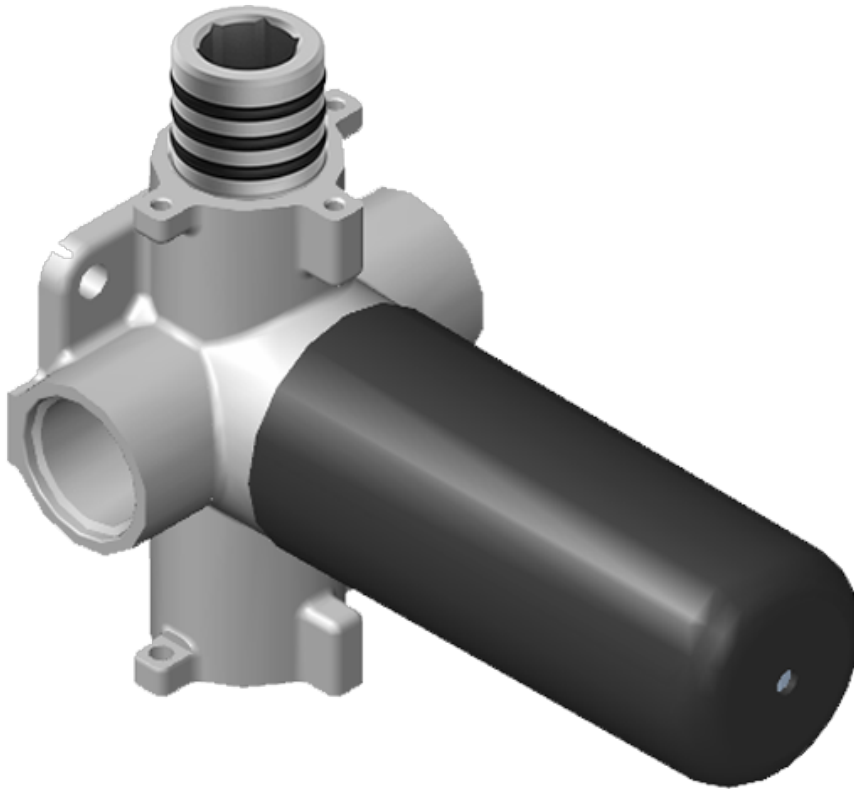


SHOWER  
Two-Way Shared Function  
Diverter Volume Control Valve  
with Pass- Through and WITHOUT  
Off Function  
**G-8052S**

---

**GRAFF®**



**Information**

- 11.5 gpm @ 60 psi
- 3/4" universal inlets/outlets with female threads
- Operates one function separately or two functions together
- Recommended to use with G-8077 Stop/Volume Control Valve
- Stacking inlet feature and pass-through port feature
- Supplied with protective plastic cover

# G-8052S

## 2-way Diverter Valve - Rough - M-Series

