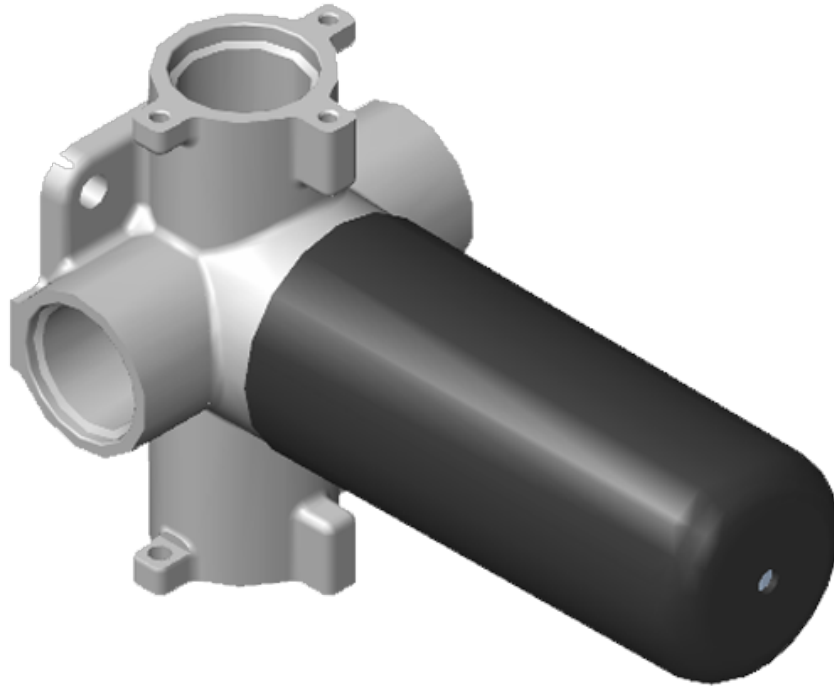


SHOWER
Three-Way Shared Function
Diverter Control Valve WITHOUT
Off Function (No Pass-Through)
G-8053S

GRAFF®



Information

- ~11 gpm @ 60 psi
- 3/4" universal inlets/outlets with female threads
- Operates one function separately or two functions together
- Recommended to use with G-8077 Stop/Volume Control Valve
- Stacking inlet feature
- Supplied with protective plastic cover

G-8053S

3-way Diverter Valve - Rough - M-Series

