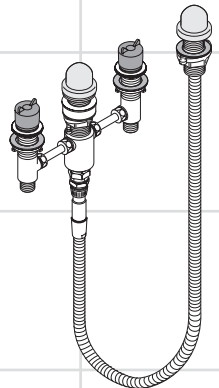
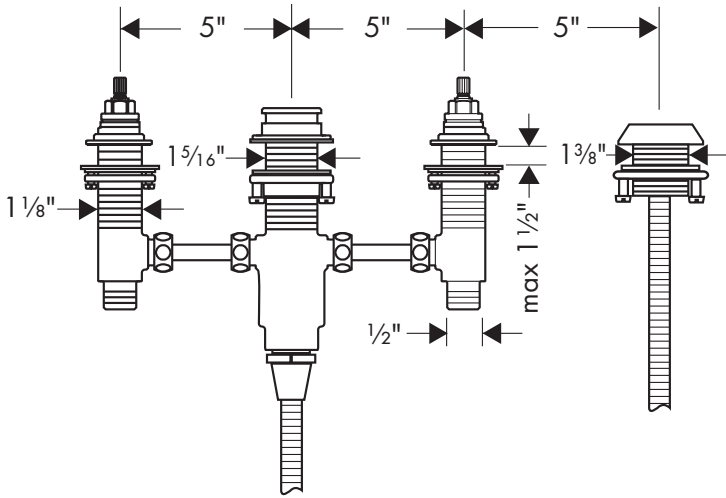


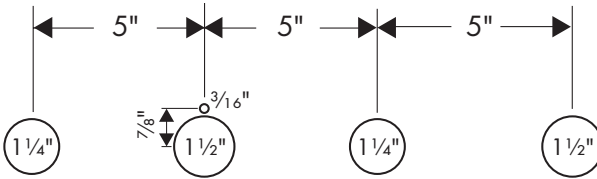
- EN** Installation / User Instructions / Warranty
- FR** Instructions de montage / Mode d'emploi / Garantie
- ES** Instrucciones de montaje / Manejo / Garantía



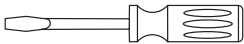
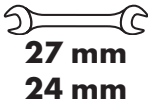
06646000



not to scale



## Tools Required / Outils Utiles / Herramientas Útiles



## Technical Information

Recommended water pressure	15 - 75 PSI
Max. water pressure	145 PSI
Recommended hot water temp.	120° - 140° F*
Max. hot water temp	176° F*
Max. flow rate	10 GPM
Hole size in mounting surface	
spout	1 3/8"
spout adapter pin	3/16"
valves	1 1/4"
handshower holder	1 1/2"
Max. depth of mounting surface	1 1/2"

\*Please know and follow all applicable local plumbing codes when setting the temperature on the water heater.

## Installation Considerations

- For best results, Hansgrohe recommends that this unit be installed by a licensed, professional plumber.
- Please read over these instructions thoroughly before beginning installation. Make sure that you have all tools and supplies needed to complete the installation.
- This faucet requires 1/2" hot and cold supply lines (not included).



**To insure proper fit of the trim, the surface material (tile, etc) must be installed prior to installation of this rough.**

- The included connecting tubes are type "K" copper tubing. If a non-standard installation is desired, the plumber may provide his own copper tubing.

- **This unit is not anti-scald.** If required by local plumbing code, install this unit in combination with an approved remote pressure balance valve or other approved water temperature limiting device.
- Protection against back siphonage is provided by a check valve (included with the trim kit) and by an automatically resetting diverter (included with the trim kit).
- Keep this booklet and the receipt (or other proof of date and place of purchase) for this product in a safe place. The receipt is required should it be necessary to request warranty parts.

## Données techniques

Pression d'eau recommandée	15 - 75 PSI
Pression d'eau maximum	145 PSI
Température recommandée d'eau chaude	120° - 140° F*
Température maximum d'eau chaude	176° F*
Capacité nominale	10 GPM
Dimension du trou dans la surface de montage	
bec	1 ½ po
robinets	1 ¼ po
la tige pour l'adaptateur du bec	¾ po
support pour la douchette	1 ½ po
Profondeur maximale de la surface de montage	1 ½ po

\* Vous devez connaître et respecter tous les codes de plomberie locaux applicables pour le réglage de la température du chauffe-eau.

## À prendre en considération pour l'installation

- Pour de meilleurs résultats, Hansgrohe recommande que ce produit soit installé par un plombier professionnel licencié.
- Veuillez lire attentivement ces instructions avant de procéder à l'installation. Assurez-vous de disposer de tous les outils et du matériel nécessaires pour l'installation.
- Ce robinet requiert des conduites d'alimentation d'eau chaude et d'eau froide de ½ po (non comprises).
- Ce robinet comprend un tube de cuivre de type « K » permettant de raccorder les valves d'eau chaude et d'eau froide au raccord en T du bec. Si l'installation souhaitée est différente de celle décrite dans ces pages, l'installateur peut utiliser son propre tube de cuivre.
- La protection contre le refoulement d'eau est assurée par un clapet de non-retour (compris avec le jeu de robinets) et un dispositif de dérivation à réenclenchement automatique (compris avec le jeu de robinets).
- Conservez ce livret et le reçu (ou une autre preuve sur laquelle figurent la date et l'endroit de l'achat) pour ce produit dans un endroit sûr. Le reçu est requis si vous commandez des pièces sous garantie.



**Pour assurer l'ajustement convenable du robinet, les matériaux de surface (carreaux, etc.) doivent être installés avant cette pièce.**

## Datos técnicos

Presión recomendada en servicio	15 - 75 PSI
Presión en servicio max.	145 PSI
Temperatura recomendada del agua caliente	120° - 140° F*
Temperatura del agua caliente max.	176° F*
Caudal máximo	10 GPM
Tamaño del orificio en la superficie de montaje	
caño	1 1/2"
válvulas	1 1/4"
pasador del adaptador del surtidor	3/16"
soporte para la teleducha	1 1/2"
Profundidad máxima de la superficie de montaje	1 1/2"

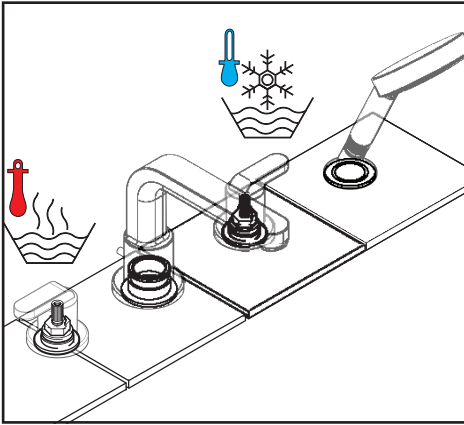
\*Debe conocer y cumplir todos los códigos locales aplicables para ajustar la temperatura del calentador de agua.

## Consideraciones para la instalación

- Para obtener mejores resultados, la instalación debe estar a cargo de un plomero profesional matriculado.
- Antes de comenzar la instalación, lea estas instrucciones detenidamente. Asegúrese de tener las herramientas y los insumos necesarios para completar la instalación.
- Este grifo requiere tuberías de suministro de agua caliente y fría de 1/2" (no incluidas).
- Esta válvula incluye tubería de cobre tipo "K" para conectar las válvulas de agua caliente y fría a la "T" del surtidor. Si la instalación deseada es diferente a la que se muestra aquí, el instalador podrá proveer su propia tubería de cobre.
- Se proporciona protección contra el efecto de sifón inverso mediante una válvula de retención (incluida con el juego de pieza exterior) y con la reconfiguración automática del distribuidor (incluido en el juego de pieza exterior).
- Mantenga este folleto y el recibo (u otro comprobante del lugar y fecha de compra) de este producto en lugar seguro. El recibo se requiere en caso de ser necesario solicitar piezas bajo garantía.



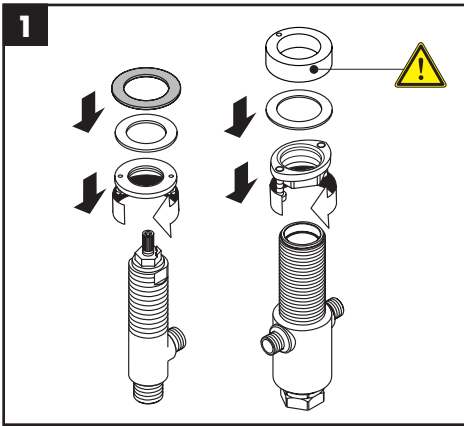
**Para asegurar el ajuste adecuado de la pieza exterior, el material de superficie (azulejo, etc.) debe colocarse antes de la instalación de la pieza interior.**



To insure proper fit of the trim, do not install this valve until after the surface material (tile, etc.) is installed.



To insure correct operation of the faucet, install the hot supply on the left and the cold supply on the right.



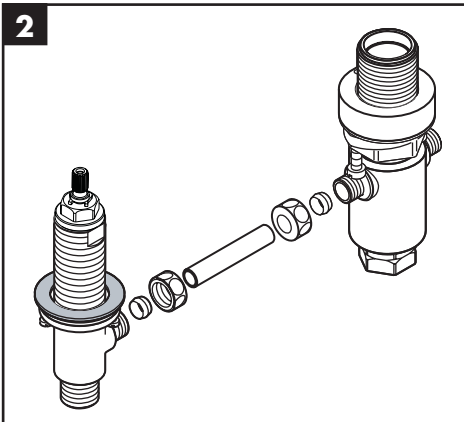
## Installation

Install the mounting rings, friction washers, and fiber washers on the valves.

Install the mounting nut and washer on the spout tee.



If the mounting surface is thin, install the white plastic spacer on the spout tee. If not, omit the spacer.



Connect the valves and diverter housing using the copper tubes and 3/8" compression fittings.

## Français



**Pour assurer l'ajustement convenable du robinet, les matériaux de surface (carreaux, etc.) doivent être installés avant cette pièce.**



**Installez la valve de l'eau chaude à gauche et celle de l'eau froide à droite.**

## Installation

Installez les anneaux de montage, les rondelles de friction et les rondelles en fibre sur les valves.

Installez l'écrou de montage et la rondelle sur le raccord en T du bec.



**Si la surface de montage est mince, installez la pièce d'espacement en plastique blanc. Sinon, vous n'avez pas à l'installer.**

Raccordez les valves au raccord en T du bec en utilisant les tubes de cuivre et les raccords à compression de  $\frac{3}{8}$  po.

## Español



**Para asegurar el ajuste adecuado de la pieza exterior, el material de superficie (azulejo, etc.) debe colocarse antes de la instalación de la pieza interior.**



**Para que el grifo funcione correctamente, el suministro de agua caliente debe estar a la izquierda y el de agua fría a la derecha.**

## Instalación

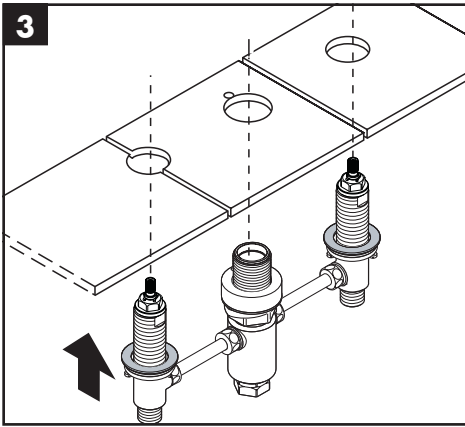
Instale los aros de montaje, las arandelas de fricción y las arandelas de fibra en las válvulas.

Instale la tuerca de montaje y la arandela en la "T" del surtidor.

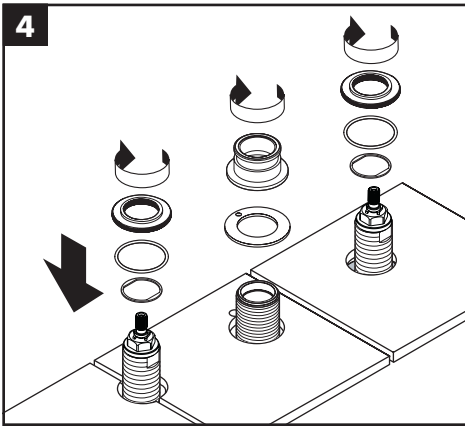


**Si la superficie de montaje es delgada, instale el separador plástico blanco. De lo contrario, se puede omitir.**

Conecte las válvulas a la "T" del surtidor con tubos de cobre y accesorios de compresión de  $\frac{3}{8}$ ".



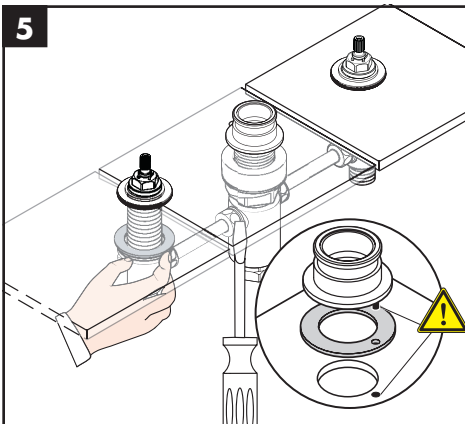
Place the valves and spout tee on the mounting surface.



Install the stop rings and mounting rings on the valves.

The stop rings will stop the mounting rings at the correct mounting height.

Install the sealing ring and spout adapter on the diverter housing.



Rest the assembly on the mounting surface, with the spout adapter pin inserted in its hole.

Tighten the mounting nuts and tensioning screws.



## Français

Poussez le raccord en T du bec et les valves vers le haut au travers de la surface de montage.

Installez l'anneau d'étanchéité et l'adaptateur de bec sur le raccord en T du bec.

Installez les bagues de retenue sur les valves.

Installez les adaptateurs d'écusson sur les valves.

Les bagues de retenue maintiendront les adaptateurs à la bonne hauteur pour le montage.

Déposez l'assemblage de la valve sur la surface de montage.

Serrez les anneaux de montage à la main.

Serrez l'écrou de montage à la main.

Serrez les vis de pression.

## Español

Empuje la "T" del surtidor y las válvulas hacia arriba a través de la superficie de montaje.

Instale el aro de sellado y el adaptador del surtidor en la "T" del surtidor.

Instale los aros de tope en las válvulas.

Instale los adaptadores del escudo en las válvulas.

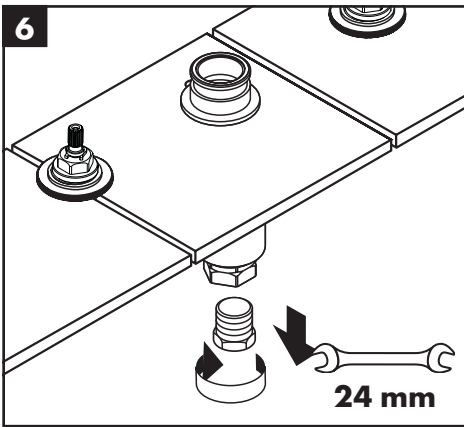
Los aros de tope detendrán los adaptadores a la altura de montaje correcta.

Apoye la válvula sobre la superficie de montaje.

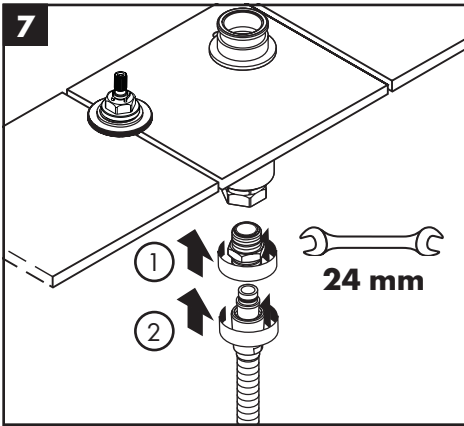
Apriete los aros de montaje con la mano.

Apriete la tuerca de montaje con la mano.

Apriete los tornillos tensores.

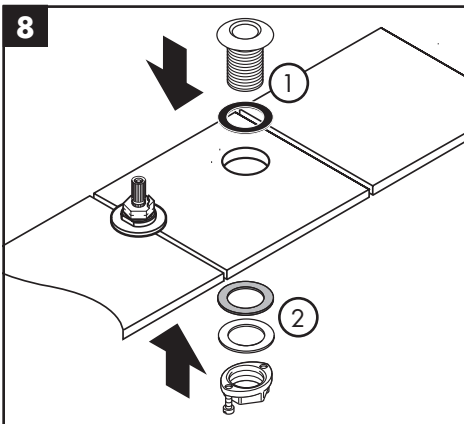


Remove the plug from the diverter housing.



Install the hose adapter.

Screw the handshower hose to the adapter.



Place the handshower holder and sealing ring on the mounting surface.

Install the friction washer, metal washer and mounting nut.

Tighten the tensioning screws.

Retirez le bouchon dans le raccord en T du bec.

Retire el tapón.

Installez l'adaptateur.

Installez le tuyau.

Instale el adaptador.

Instale la manguera.

Déposez le support de douchette sur la surface de montage.

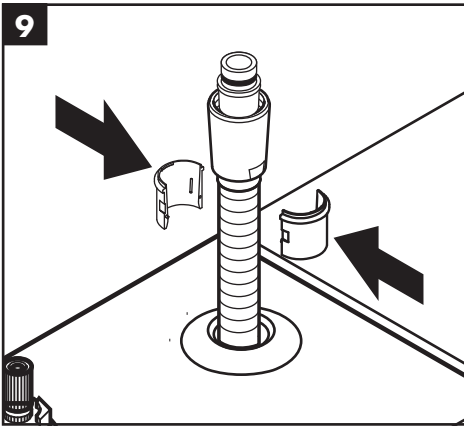
Installez le rondelle en fibre, le rondelle de friction, et l'anneau de montage.

Serrez les vis de pression.

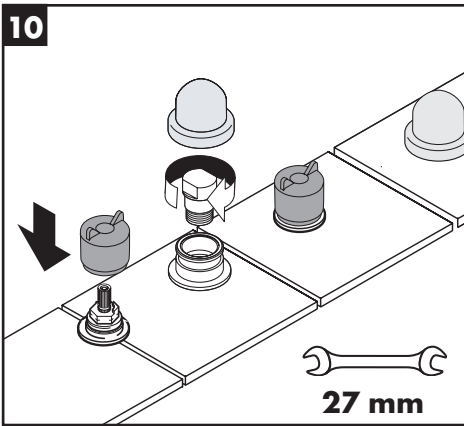
Apoye el soporte para la teleducha sobre la superficie de montaje.

Instale el aro de montaje, la arandela de fricción y la arandela de fibra.

Apriete los tornillos tensores.



Push the hose through the handshower holder.  
Snap the two halves of the insert around the hose.



If the trim is not to be installed immediately, install the spout tee plug and the plaster shields.  
Install the hot and cold supply lines (not included).

## Français

Poussez le tuyau vers le haut au travers de le support douche.

Installez le mandrin.

Installez le bouchon.

Installez les protecteurs.

Installez les conduites d'alimentation d'eau chaude et d'eau froide (pas d'inclus).

## Español

Empuje la tubería arriba a través de la superficie de montaje.

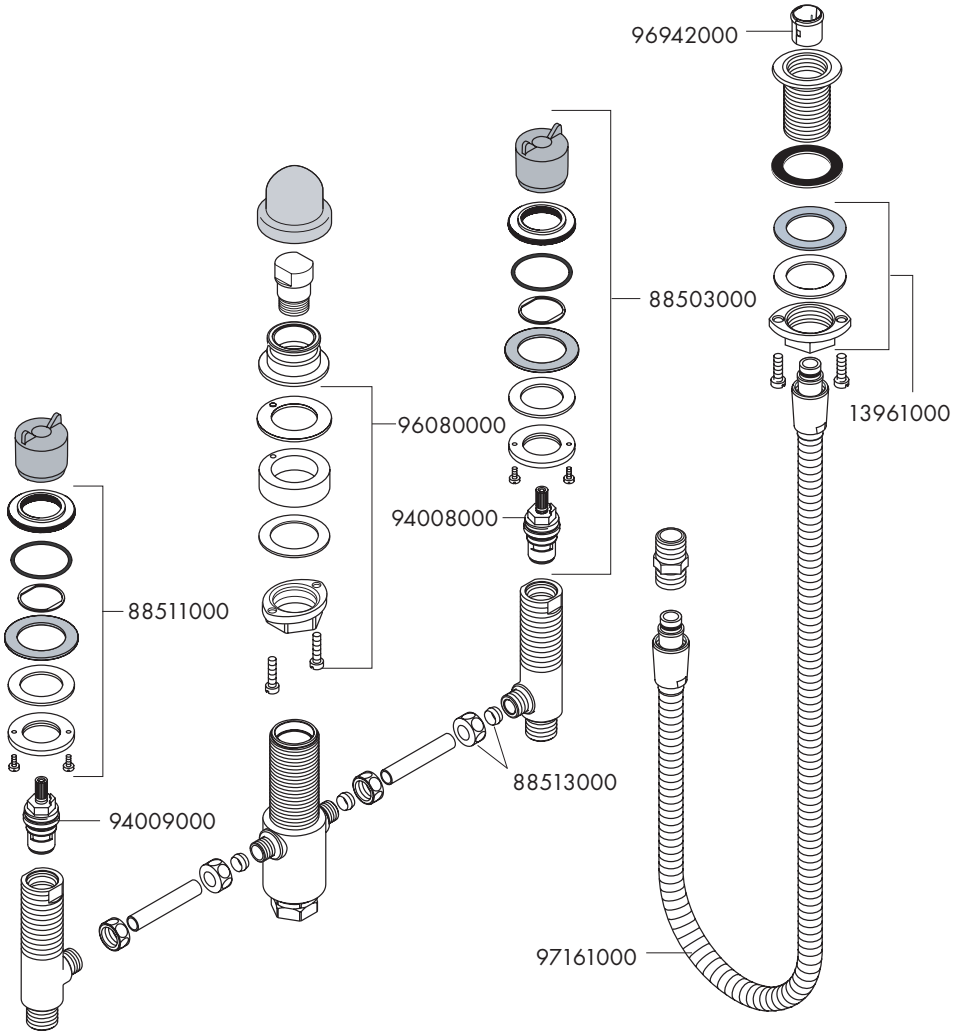
Instale el inserto.

Instale el tapón.

Instale los protectores de yeso.

Instale las tuberías de suministro de agua caliente y fría (no incluidos).

# Replacement Parts / Pièces détachées / Repuestos



---

## Limited Consumer Warranty

This product has been manufactured and tested to the highest quality standards by Hansgrohe, Inc. ("Hansgrohe"). This warranty is limited to Hansgrohe products that are purchased by a consumer in the United States or Canada after March 1, 1996, and installed in either in the United States or in Canada.

### WHO IS COVERED BY THE WARRANTY

This warranty extends to the original purchaser only. This warranty is non-transferable.

### WHAT IS COVERED BY THE WARRANTY

The warranty covers only your Hansgrohe manufactured product. Hansgrohe warrants this product against defects in material or workmanship as follows:

Hansgrohe will replace at no charge for parts only or, at its option, replace any product or part of the product that proves defective because of improper workmanship and/or material, under normal installation, use, service and maintenance. If Hansgrohe is unable to provide a replacement and repair is not practical or cannot be made in timely fashion, Hansgrohe may elect to refund the purchase price in exchange for the return of the product.

### LENGTH OF WARRANTY

Replacement or repaired parts of products will be covered for the term of this warranty, as stated in the following two sentences. If you are a consumer who purchased the product for use primarily for personal, family or household purposes, this warranty extends for as long as you own the product and the home in which the product is originally installed. If you purchased the product for use primarily for any other purpose, including, without limitation, a commercial purpose, this warranty extends only (i) for 1 year, with respect to Hansgrohe & Commercial products, and (ii) for 5 years, with respect to Axor products.

### THIS WARRANTY DOES NOT COVER, AND HANSGROHE WILL NOT PAY FOR:

- A. Conditions, malfunctions or damage not resulting from defects in material or workmanship.
- B. Conditions, malfunctions or damage resulting from (1) normal wear and tear, improper installation, improper maintenance, misuse, abuse, negligence, accident or alteration; (2) the use of abrasive or caustic cleaning agents or "no-rinse" cleaning products, or the use of the product in any manner contrary to the product instructions; or (3) conditions in the home such as excessive water pressure or corrosion.
- C. Labor and other expenses for disconnection, deinstallation, or return of the product for warranty service (including but not limited to proper packaging and shipping costs), or for installation or reinstallation of the product.
- D. Accessories, connected materials and products, or related products not manufactured by Hansgrohe.
- E. Any Hansgrohe or Axor product sold for display purposes.
- F. Rubbed Bronze finish is subject to a 3-year limited warranty. Chrome and all PVD finishes are covered by the limited lifetime warranty.
- G. Hansgrohe Water Filtration System is subject to a 1-year limited warranty. Warranty does not include replacement filters.

### TO OBTAIN WARRANTY PARTS OR INFORMATION

Contact your Hansgrohe retailer, or contact Technical Service at:

Hansgrohe, Inc.  
1492 Bluegrass Lakes Parkway  
Alpharetta, GA 30004  
Toll-free 800-334-0455

In requesting warranty service, you will need to provide:

1. The sales receipt or other evidence of the date and place of purchase.
2. A description of the problem.
3. Delivery of the product or the defective part, postage prepaid and carefully packed and insured, to:

Hansgrohe, Inc.  
1492 Bluegrass Lakes Parkway  
Alpharetta, GA 30004  
Toll-free 800-334-0455

When warranty service is completed, any repaired or replacement product or part will be returned to you postage prepaid.

## **EXCLUSIONS AND LIMITATIONS**

**REPAIR OR REPLACEMENT (OR, IN LIMITED CIRCUMSTANCES, REFUND OF THE PURCHASE PRICE) AS PROVIDED UNDER THIS WARRANTY IS THE EXCLUSIVE REMEDY OF THE PURCHASER. HANSGROHE NEITHER ASSUMES NOR AUTHORIZES ANY PERSON TO CREATE FOR IT ANY OTHER OBLIGATION OR LIABILITY IN CONNECTION WITH THIS PRODUCT. HANSGROHE SHALL NOT BE LIABLE TO PURCHASER OR ANY OTHER PERSON FOR ANY INCIDENTAL, SPECIAL OR CONSEQUENTIAL DAMAGES, ARISING OUT OF BREACH OF THIS WARRANTY OR ANY IMPLIED WARRANTY (INCLUDING BUT NOT LIMITED TO ANY IMPLIED WARRANTY OF MERCHANTABILITY).**

Some States do not allow the exclusion or limitation of incidental or consequential damages, so the above limitation or exclusion may not apply to you. This warranty gives you specific legal rights, and you may also have other rights that vary from state to state.

**TO THE EXTENT PERMITTED BY LAW, ANY IMPLIED WARRANTIES OF MERCHANTABILITY AND FITNESS FOR A PARTICULAR PURPOSE, ARE LIMITED TO THE DURATION OF THE EXPRESS WARRANTY.**

Some states do not allow limitations on how long an implied warranty may last, so the above limitations may not apply to you. You may be required by law to give us a reasonable opportunity to correct or cure any failure to comply before you can bring any action in court against us under the Magnuson-Moss Warranty Act.

## **PRODUCT INSTRUCTIONS AND QUESTIONS**

Upon purchase or prior to installation, please carefully inspect your Hansgrohe product for any damage or visible defect. Prior to installing, always carefully study the enclosed instructions on the proper installation and the care and maintenance of this product. If you have questions at any time about the use, installation or performance of your Hansgrohe product, or this warranty, please write us or call us toll-free at 800-334-0455.

**hansgrohe**

Hansgrohe, Inc. • 1490 Bluegrass Lakes Parkway • Alpharetta, GA 30004  
Tel. 800-334-0455 • Fax 770-360-9887

[www.hansgrohe-usa.com](http://www.hansgrohe-usa.com)