

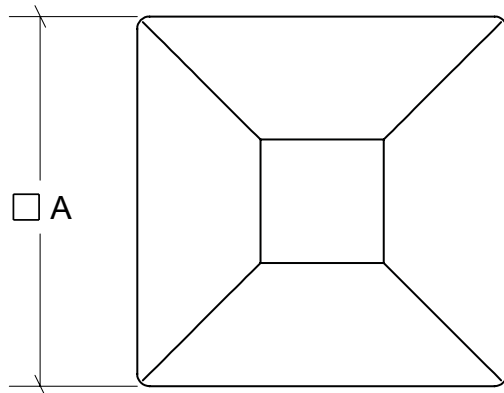
HAMILTON SINKLER

CK040 Cabinet Knob

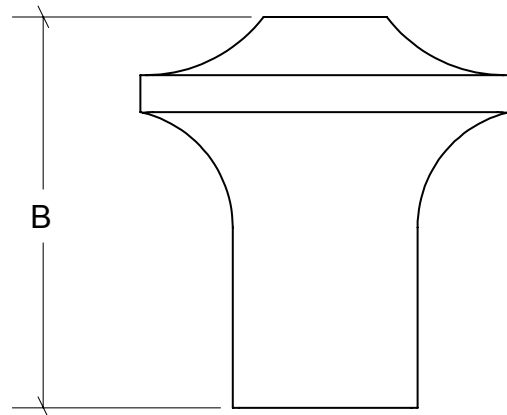
Standard Finishes:

- Antique Brass
- Brushed Nickel
- Oil Rubbed Bronze
- Polished Chrome
- Polished Nickel
- Satin Brass
- Polished Brass Unlacquered

Base Material:
Solid Brass



A: 1", 1-1/4", 1-1/2"



B: 1", 1-1/4", 1-1/2"