

# Metal Drawer Box Waste Container

Scan to watch the installation video  
<https://delivr.com/2hmwh>



## IMPORTANT:

Before you begin, make sure you familiarize yourself with all the parts and fully read the instructions.

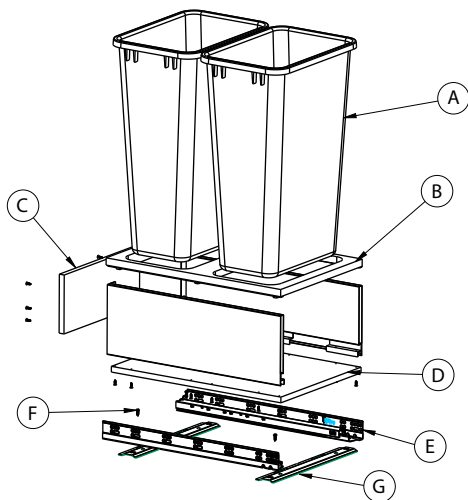
## CUSTOMER SERVICE:

Toll free customer help line available weekdays between 7:00am and 6:00pm Central Time at 800-463-0660.

## TOOLS NECESSARY:

Screw gun or Phillips screwdriver and tape measure. NOTE: If screw gun has a clutch, set to lowest setting so as not to over tighten and/or strip screws.

## PARTS IDENTIFICATION:



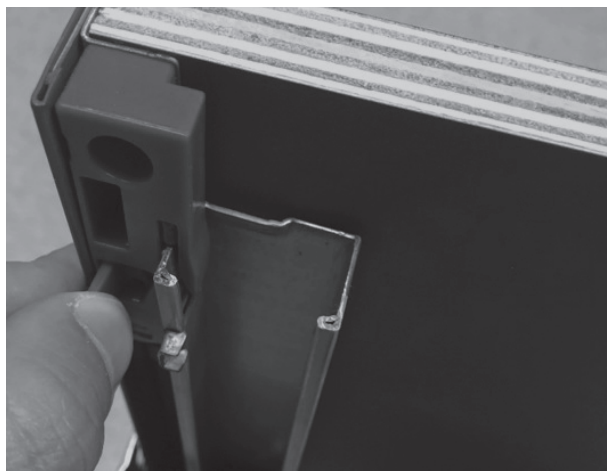
A	Grey 35 or 50 Quart Trash Can	1 Single/2 Double
B	Top Cover	1 pc
C	Back Panel	1 pc
D	Bottom Panel	1 pc
E	MDB500-185-21GR	1 pc
F	#8x5/8 Pan head Wood Screw	4 pcs
G	Metal Runners with Screws	2 pcs

## Installation Instructions for the CAN-MDB5 Series

Double/Single Can 35 qt/50 qt  
Trash Systems

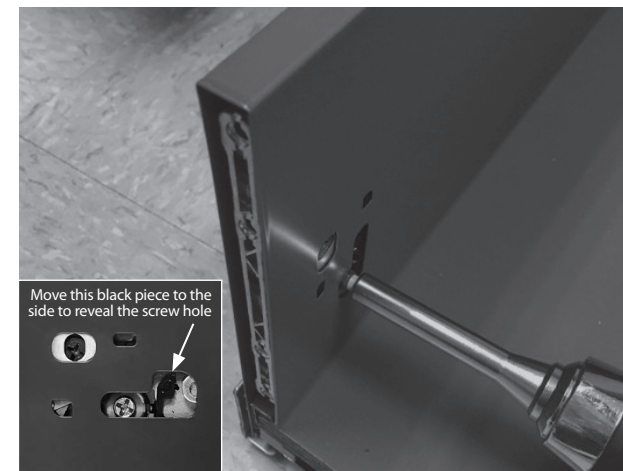
hardware  
**resources**<sup>®</sup>

### STEP 1 Detach the Slides



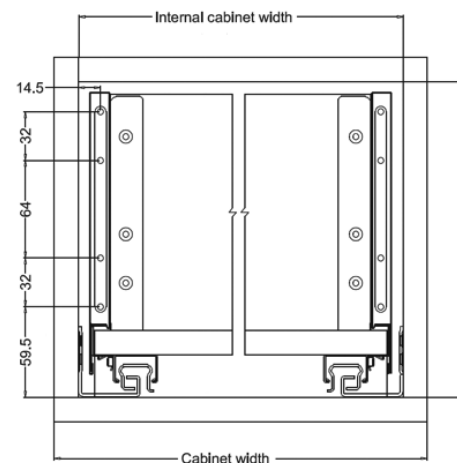
Detach the slides from the metal wall drawer box.

### STEP 2 Remove the Mounting Brackets



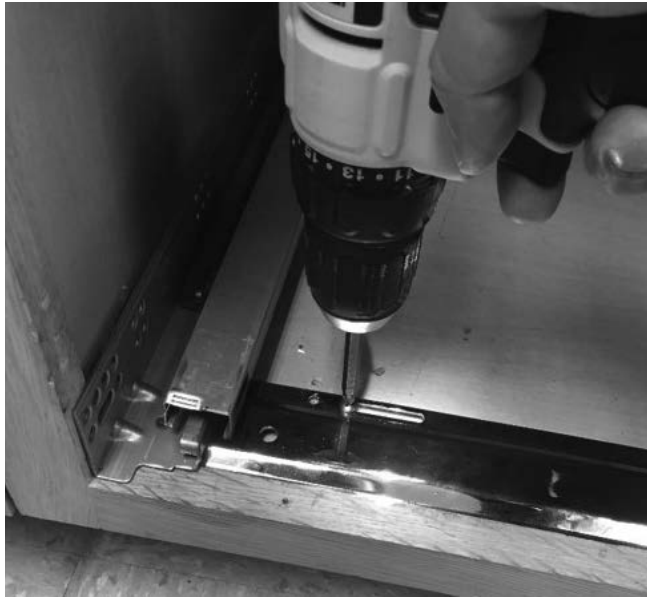
Use a screwdriver to turn the mechanism in the drawer box that will release the mounting brackets that are on the inside.

### STEP 3 Install the Front Mounting Brackets



Install the front mounting brackets on the front using the screws provided and according to the dimensions above.

**STEP 4**  
**Install the Slides**



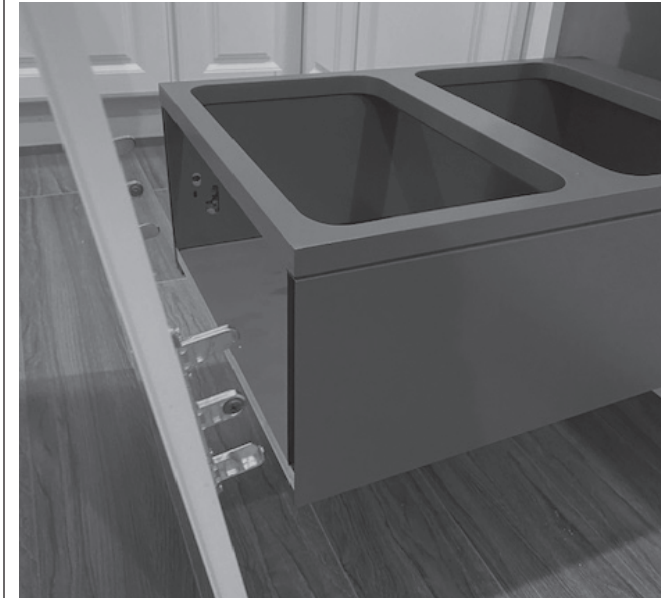
Install the slides with the metal runners inside the cabinet using the screws provided according to the pictures above.

**STEP 5**  
**Install the Metal Drawer Box**



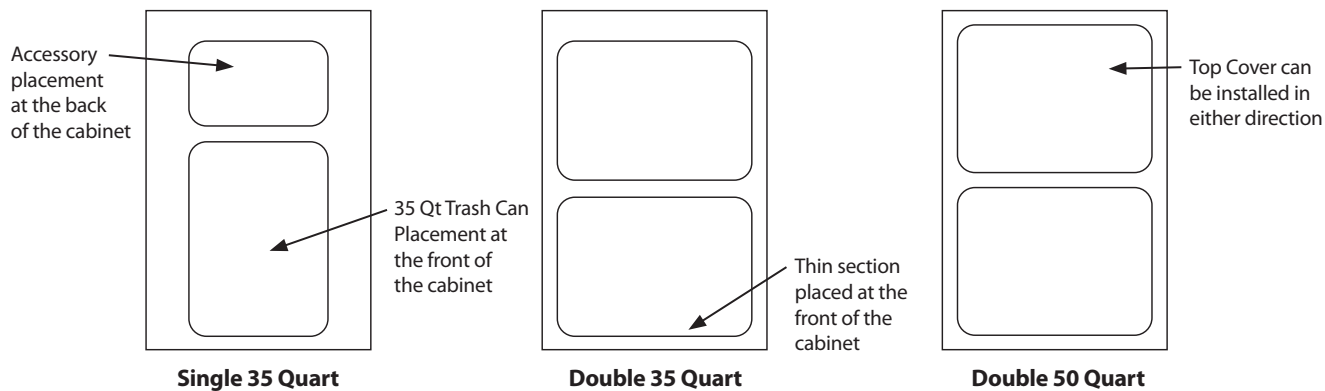
Place the metal drawer box inside the cabinet and slide it on the slides to the end until a click sound is heard.

**STEP 6**  
**Install the Cabinet Door**



Install the cabinet door to the metal drawer box using the door mounting brackets. They will click into place.

**STEP 7**  
**Install the Top Cover**



Place the top cover on top of the metal drawer box. A magnetic strip holds the cover in place.

**Note:** The top cover only sits properly when it is in the correct orientation depicted in the drawings. (Except 50 qt version in which the top cover is symmetrical and can be placed in either direction.)

**STEP 8**  
**Install Trash Cans**

