

KARO GRANDE
Undermount Lavatory
 L-2442-ADA

Product Features

- Vitreous china
- Undermount sink with overflow
- MicroGlaze™ anti-microbial, stain-resistant glaze

Nominal Dimensions

- Inner dimensions: 20-3/8" x 13-1/8"
- Outer dimensions: 22-7/8" x 15-5/8"

Compliance Certifications

- ASME A112.19.2-2018/CSA B45.1-18
- Meets ADA guidelines when installed with the proper clearances

Quality Assurance

- Limited lifetime product warranty

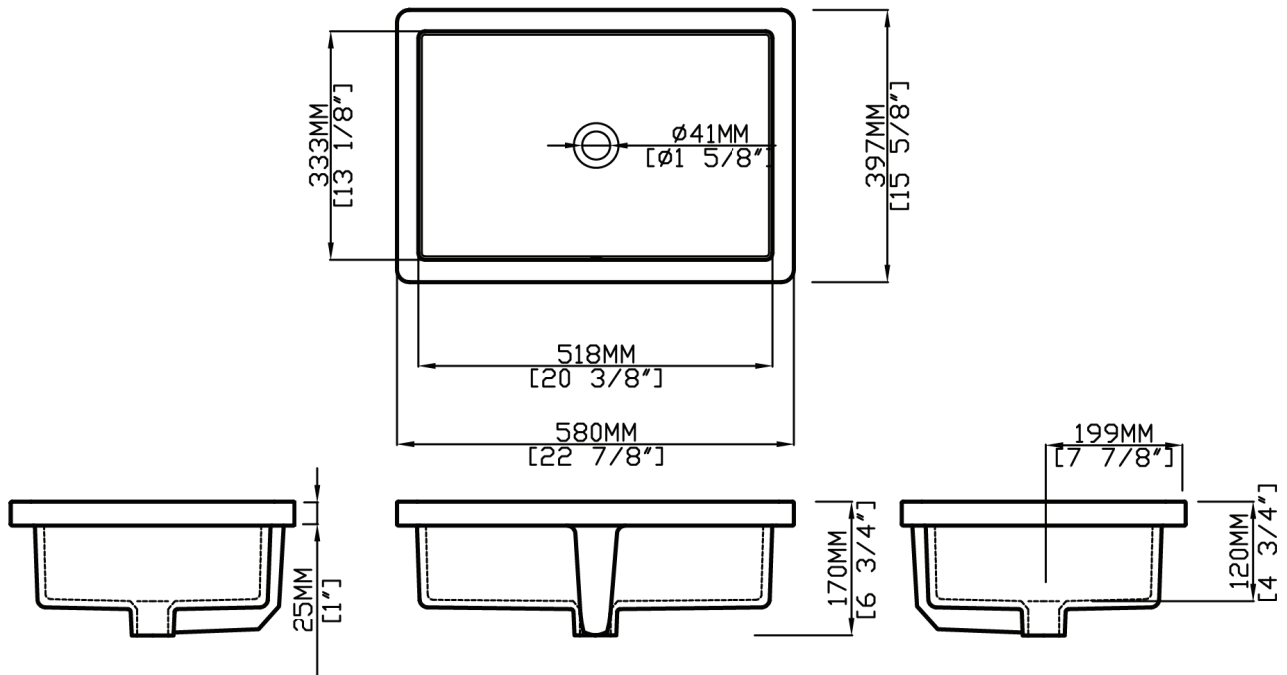


Glaze Color Options



White .01

Dimensional Diagram



IMPORTANT: Dimensions are nominal and may vary within the range of tolerance per NSI Standard A112.19.2. These measurements are subject to change. No responsibility is assumed for use of superseded or voided pages.

Due to such nominal variations with all ceramic products, vanity countertops to be used with ceramic sinks should only be cut with the actual sink intended for installation, to physically ensure that cut-out dimensions are appropriate. The diagram and dimensions given above are for illustration only, are approximate and not to scale, and are not suitable for use as a cut-out template. No responsibility is assumed for the use or mis-use of these pages for installation purposes.

This lavatory is ADA compliant when installed to the specific requirements of these regulations.