



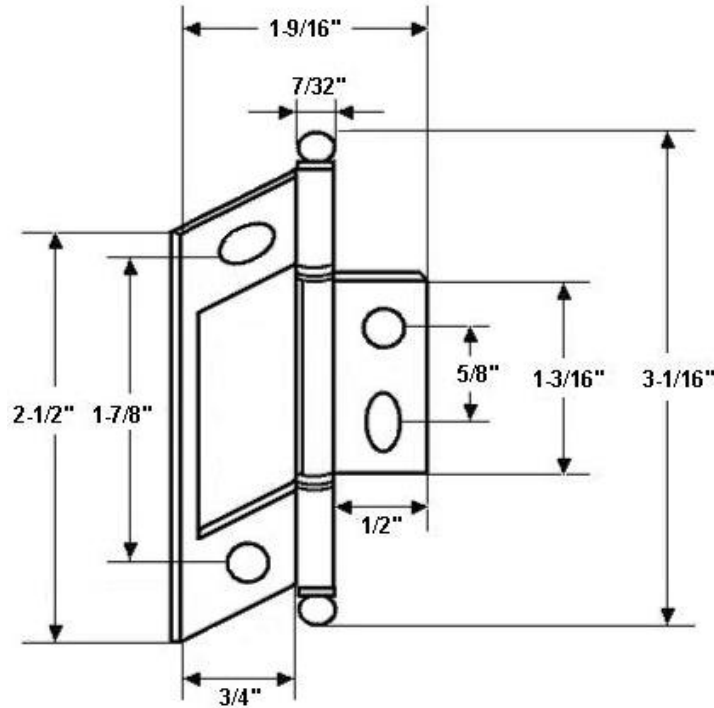
"The Special Finishes Specialist" ©

by St. Simons, Inc.

idhbrass.com

Quality Solid Brass Decorative Hardware & Bath Accessories

Product Data Sheet
 Premium Grade Solid Brass
2-1/2" x 7/8" Non Mortise Cabinet Hinge
Item# 82600



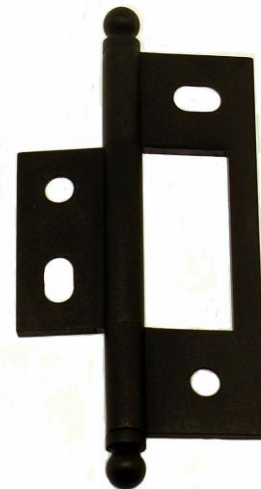
Dimensions:

- Overall Height: 3-1/16"
- Gauge: 5/64"
- Weight: 1-1/2 oz. per hinge

*Dimensions are for reference use only.
For exact dimensions, please measure actual part.*

Product Description & Features:

82600 Solid Brass 2-1/2" x 7/8" Non Mortise Cabinet Hinge (Pair)



Catalog Section: G

2-1/2" x 7/8" Non Mortise Cabinet Hinge

Item# 82600

Date: Rev 03/13