

ID Infinity Drain



TDFS 5-2 Tile Drain

Double Waterproofing Center Drain Series

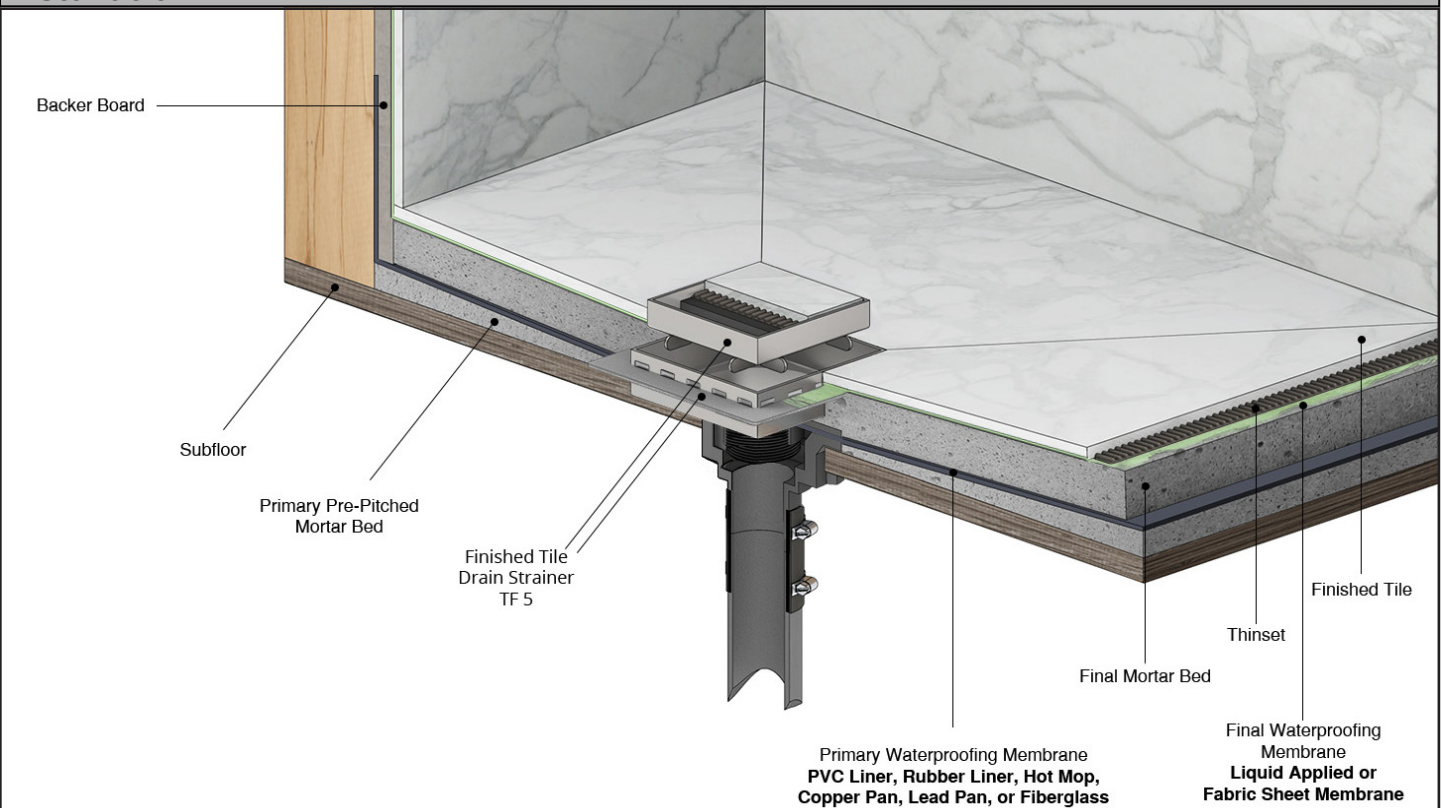
Complete Kits:

- TDFS 5-2I
- TDFS 5-2A
- TDFS 5-2P

Features

- 12 Ga. Stainless Steel Tile Insert Tray and Flange for 3/4" Thick Tile or Stone
- 2" Stainless Steel Throat. 1 7/16" Depth.
- Interior or Exterior use
- Grate can be removed completely for cleaning
- Requires traditional 4-way floor pitch
- Flow rate 9 GPM with 2" outlet

Installation



Care & Maintenance

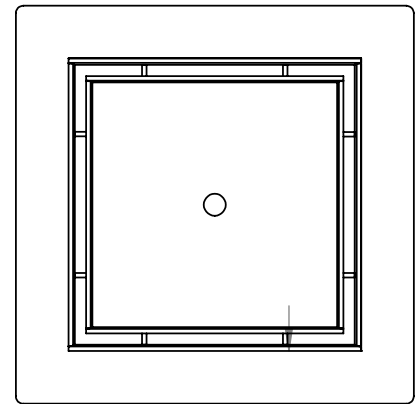
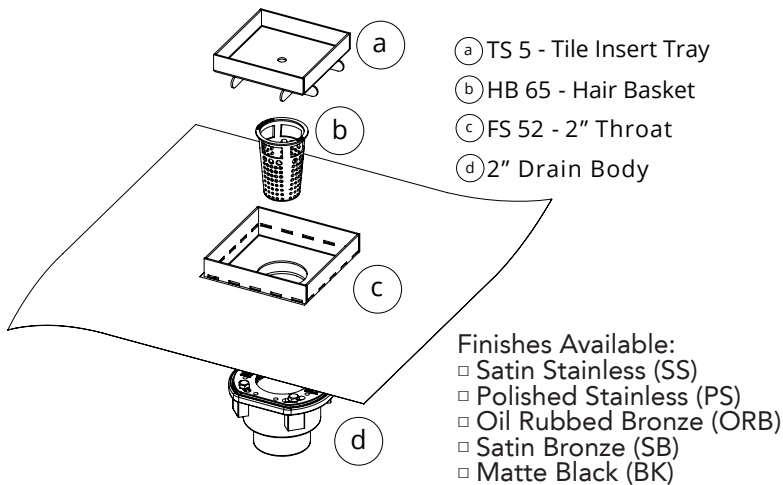
TDFS 5-2 stainless steel throat and decorative strainer are made of 304L stainless steel. This material is non-porous, hygienic, rust-free and extremely durable. Bar Keepers Friend® and Soft Scrub® are commonly available products that can be used to protect and clean your Satin Stainless drain cover. For stains that have been left for an excessive amount of time, stronger cleaning agents such as Steel Brite® may be needed. For all finishes we recommend using mild soap and a soft cloth for cleaning. DO NOT use any abrasive cleaners, scrub pads or allow household cleaning agents, such as bleach, to sit on the drain cover for a long period of time. Stainless steel does not rust. External factors, such as contamination from other highly ferrous metals, built up road salt, sea salt, or chlorine may have caused "surface" rust which can be removed using Barkeepers Friend®, Soft Scrub® with Bleach, or Steel Brite®. Always follow the directions on the bottle. Follow proper maintenance procedures to prevent excessive surface rust. In areas of frequent exposure to salt, chlorine, and other chemical compounds, maintenance of the stainless grates should be performed at least 2-3 times per year.

Infinity Drain
145 Dixon Avenue
Amityville, NY 11701
Phone: 516.767.6786
Fax: 516.740.3066
www.InfinityDrain.com

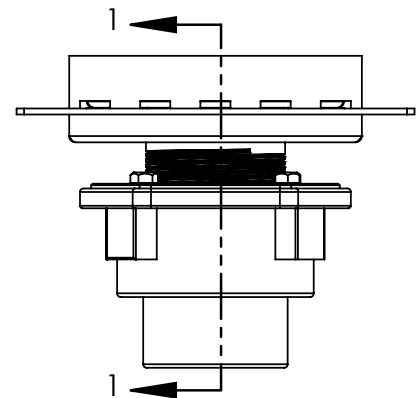


NOTE: Installer must verify all rough-in dimensions prior to installation and consult local and national codes. Conformity and compliance to local and national codes are the responsibility of the installer.

TDFS 5-2 Specifications



7 7/8"



Components:

TDFS 5-2I

5" x 5" Tile Drain Strainer with with Cast Iron Drain Body
2" Throat. 2" No Hub Outlet.

Kit Includes:

- (4-7/8" L x 4-7/8" W x 1-7/16" H) - Strainer
- 1 - T S 5 - 5" x 5" Stainless Steel Tile Insert Tray
- 1 - FS 52 - Stainless Steel 2" Throat
- 1 - HMK-C2-D Hair Maintenance Kit:
 - 1 - HB 65 Hair Basket
 - 1 - DKEY Lift Out Key
- 1 - CDI 22 Cast Iron Drain Body Assembly

TDFS 5-2A

5" x 5" Tile Drain Strainer with with ABS Drain Body
2" Throat. 2" No Hub Outlet.

Kit Includes:

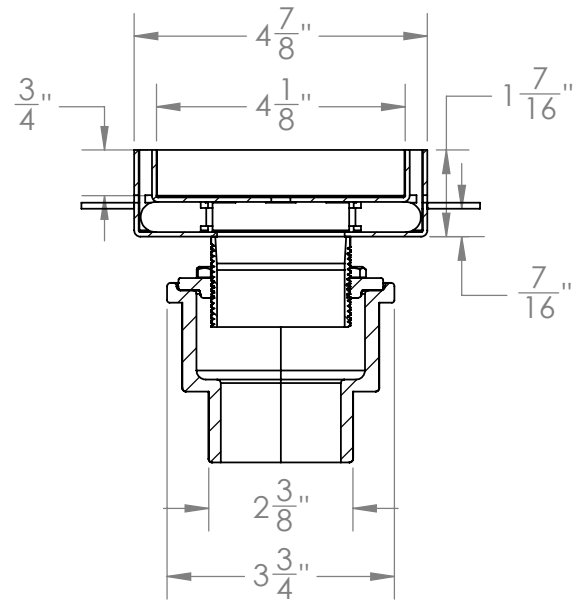
- (4-7/8" L x 4-7/8" W x 1-7/16" H) - Strainer
- 1 - T S 5 - 5" x 5" Stainless Steel Tile Insert Tray
- 1 - FS 52 - Stainless Steel 2" Throat
- 1 - HMK-C2-D Hair Maintenance Kit:
 - 1 - HB 65 Hair Basket
 - 1 - DKEY Lift Out Key
- 1 - CDA ABS Drain Body Assembly

TDFS 5-2P

5" x 5" Tile Drain Strainer with PVC Drain Body
2" Throat. 2" No Hub Outlet.

Kit Includes:

- (4-7/8" L x 4-7/8" W x 1-7/16" H) - Strainer
- 1 - T S 5 - 5" x 5" Stainless Steel Tile Insert Tray
- 1 - FS 52 - Stainless Steel 2" Throat
- 1 - HMK-C2-D Hair Maintenance Kit:
 - 1 - HB 65 Hair Basket
 - 1 - DKEY Lift Out Key
- 1 - CDP PVC Drain Body Assembly



SECTION 1-1

Infinity Drain
 145 Dixon Avenue
 Amityville, NY 11701
 Phone: 516.767.6786
 Fax: 516.740.3066
 www.InfinityDrain.com



NOTE: Installer must verify all rough-in dimensions prior to installation and consult local and national codes. Conformity and compliance to local and national codes are the responsibility of the installer.