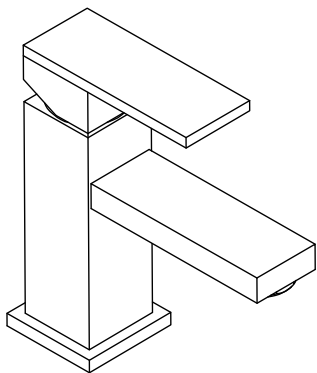


**160.1050 | Single Hole Faucet**



**SPECIFICATIONS:**

- Solid Brass construction
- Single Hole Installation
- 1.5 GPM Flow Rate @ 60 PSI (1.2 GPM For California)
- Ceramic disc cartridge allows both volume and temperature control



**FAST SHIP FINISHES :**

- Chrome - 160.1050CP, Brushed Nickel - 160.1050BN

**STANDARDS:**

- ASME A112.18.1 / CSA B125.1, NSF-61 & EPA Watersense

LowFlow Capable



Legislation Compliance



Low Lead Compliant



ZeroDrip Technology



**Technical Diagram**

