



160.4371 | 3/4" 3-Way Diverter With Shut-Off

SPECIFICATIONS:

- Turn Handle for water diversion.
- Includes valve (TVH.4371)
- Valve Flow Rate - 8.0 GPM @ 60 PSI

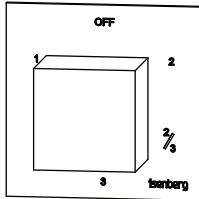
STANDARDS:

- ASME A112.18.1 / CSA B125.1

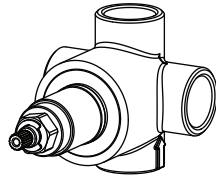
FINISHES :

- Chrome - 160.4371CP / Brushed Nickel - 160.4371BN

! A separate volume control is **not** needed to turn water supply off. Volume control functionality is integrated within this valve.



Trim
[160.4371T**]



Valve
[TVH.4371]

Belgian Mirror Finish



Legislation Compliance

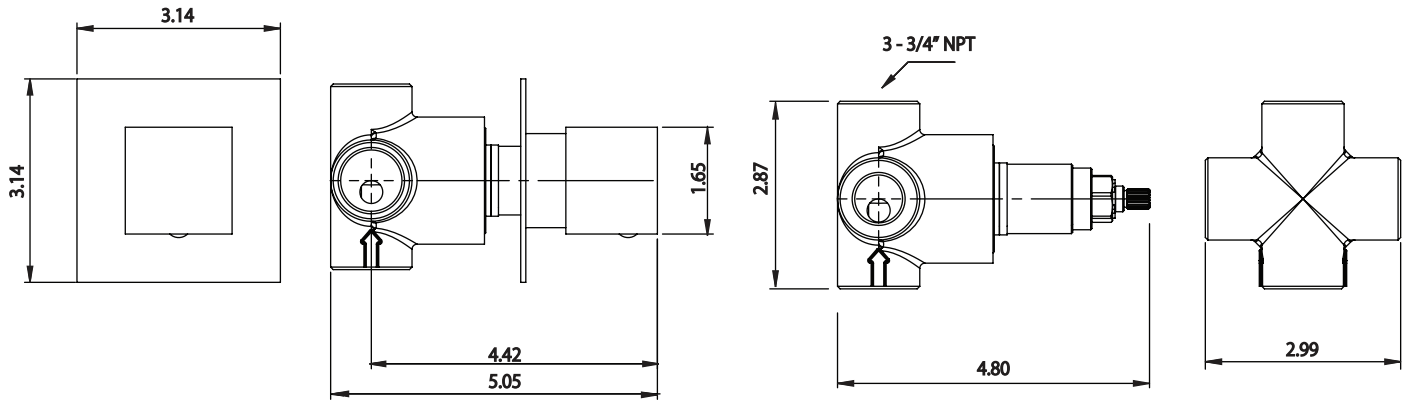


ZeroDrip Technology



Technical Diagram

See Spec Sheet For TVH.4371 For Detailed Information On Valve.



Water Flow Diagram

