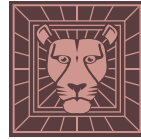


31 1/2"

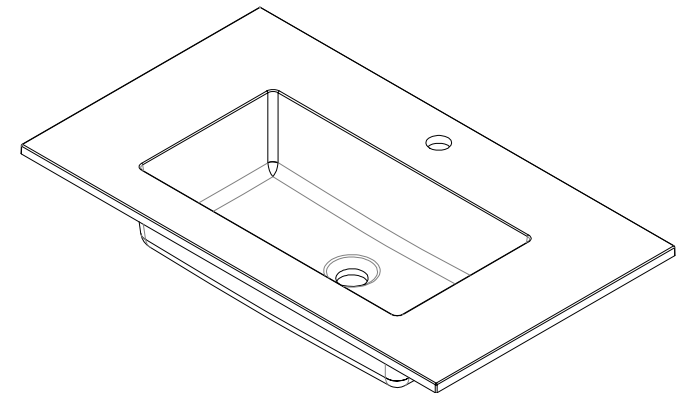
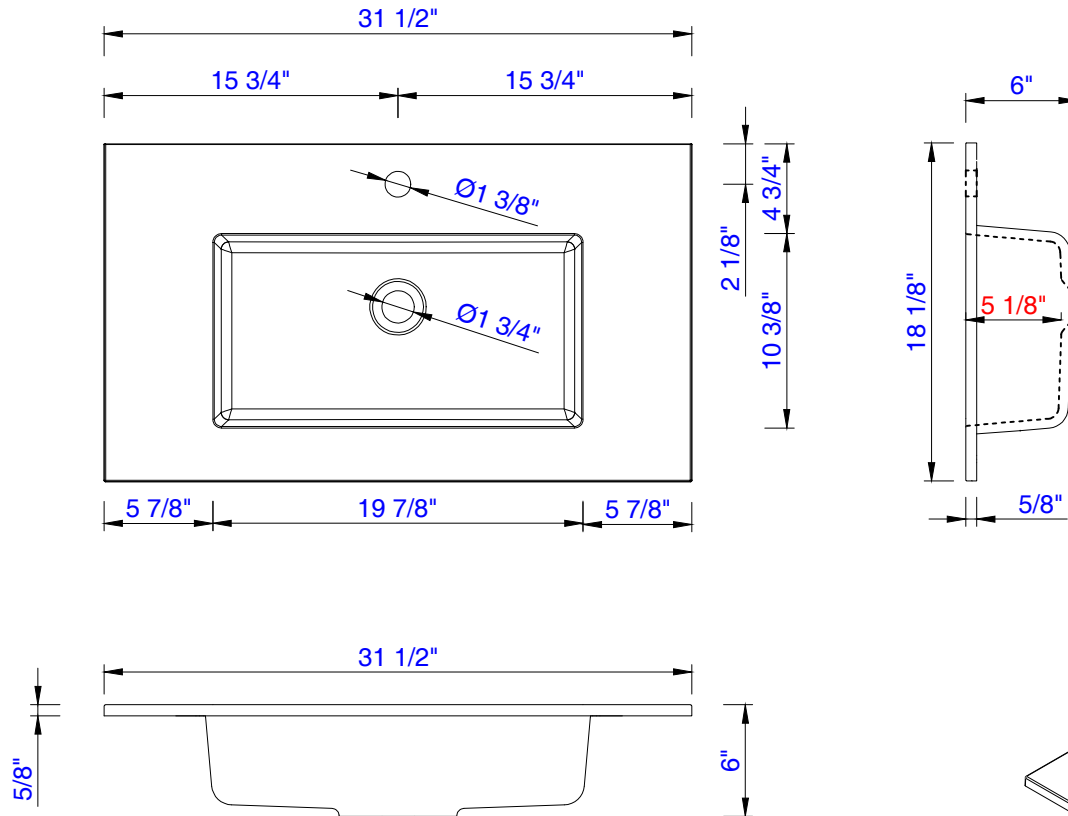
Item Number:
SWB-S31.5-GW
SWB-S31.5-CHB

JAMES MARTIN



VANITIES™

M-Series 31.5" Countertop w/ sink
Diagrams with Dimensions
page 01 of 01



800mm

Item Number:
SWB-S31.5-GW
SWB-S31.5-CHB

JAMES MARTIN



VANITIES™

M-Series 800mm Countertop w/ sink
Diagrams with Dimensions
page 01 of 01

