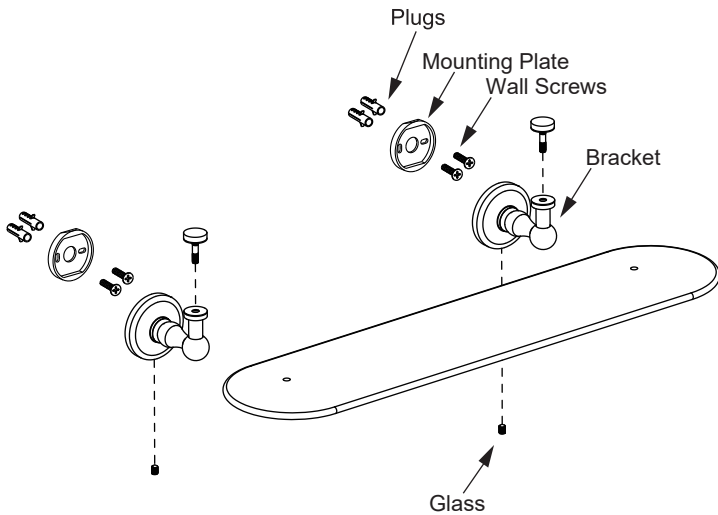


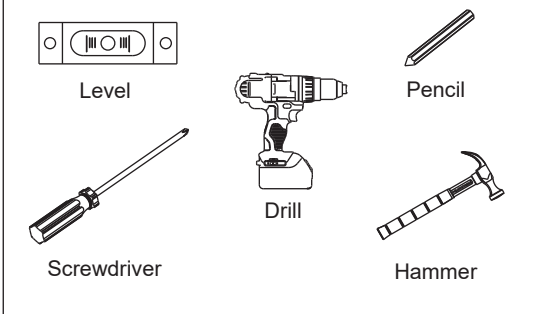
LYON COLLECTION

GLASS SHELF

351671



Tools required for installation



Step 1

Loosen the set screw on the accessory and remove the backing plate. Position the accessory against the wall and mark outline with pencil

Step 2

Position the backing plate flat side down on the wall and mark holes with pencil.

Step 3

Predrill 3/16" holes on the wall to fit wall plugs. Insert wall plugs into the wall. Position backing plate flat side down over the plugs and install screws.

Step 4

Slide the brackets onto the backing plates and tighten the set screws using Allen key provided.

Step 5

Insert the glass into the brackets and tighten the glass with set screws.