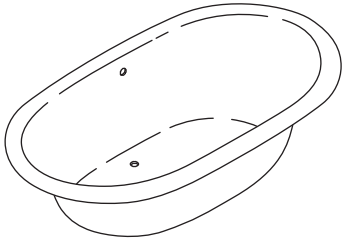


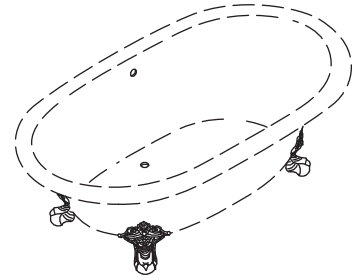
# Installation Guide

## Drop-in or Freestanding Cast Iron Bath

P50202-00

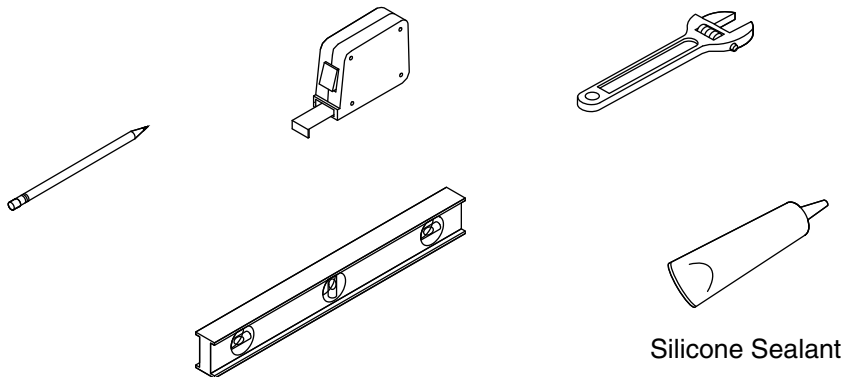


P50203-00



KALLISTA.

## Tools and Materials



### Plus:

- Conventional woodworking tools and materials
- Drop Cloth
- Metal Shims
- Rags/Chiffons/Trapos
- 2x4's or 2x6's

## Thank You For Choosing Kallista

We appreciate your commitment to KALLISTA quality products. Please take a moment to review this manual before you install your KALLISTA product. If you encounter any installation or performance problems, please do not hesitate to contact us at the phone number listed on the back cover.

## Before You Begin

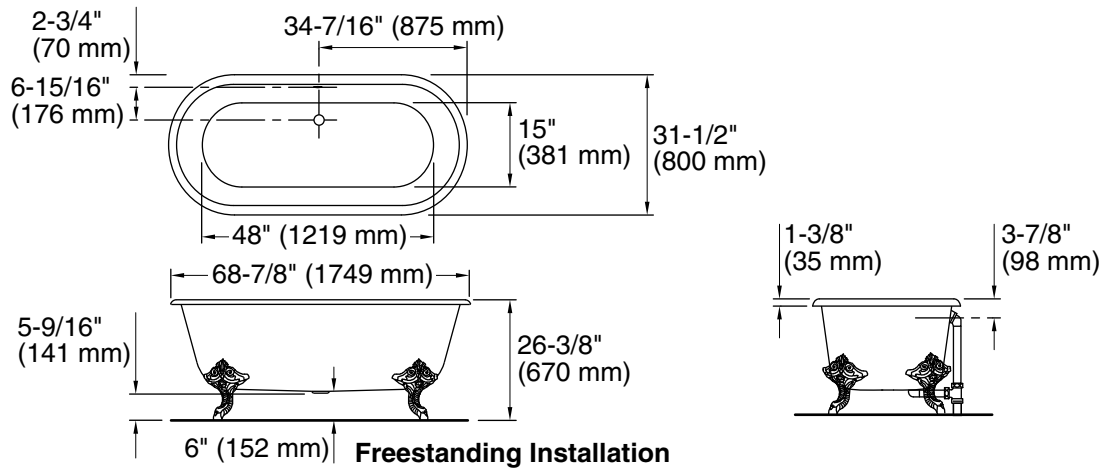


**CAUTION: Risk of personal injury.** Cast iron baths are extremely heavy. Obtain sufficient help to carefully lift or move the bath.



**CAUTION: Risk of property damage.** Do not support the bath by the rim. Provide adequate support under the feet.

- Observe all local plumbing and building codes.
- Carefully inspect the bath for damage before installing.
- Ensure proper access to the final plumbing connections before installing the bath.
- This guide includes instructions for both freestanding and drop-in installations. Follow the instructions that apply to your particular installation.
- Provide properly-dimensioned framing for drop-in installations.
- Install the bath to an adequately supported, level subfloor. Use metal shims if the floor is uneven.
- To simplify future maintenance, ensure all plumbing connections around the bath are easily accessible.
- This bath conforms to ASME A112.19.1./CSA B45.2. All dimensions are nominal.
- Kallista reserves the right to make revisions in the design of products without notice, as specified in the Price Book.



## 1. Prepare the Site

**NOTE:** Make sure the floor will support a minimum of 1140 lbs. (517 kg). This is the combined weight of the water-filled bath with one bather.

- Make sure the flooring offers adequate support for your bath.
- Verify the subfloor is flat and level.

### For Drop-in or Raised-Deck Installations:

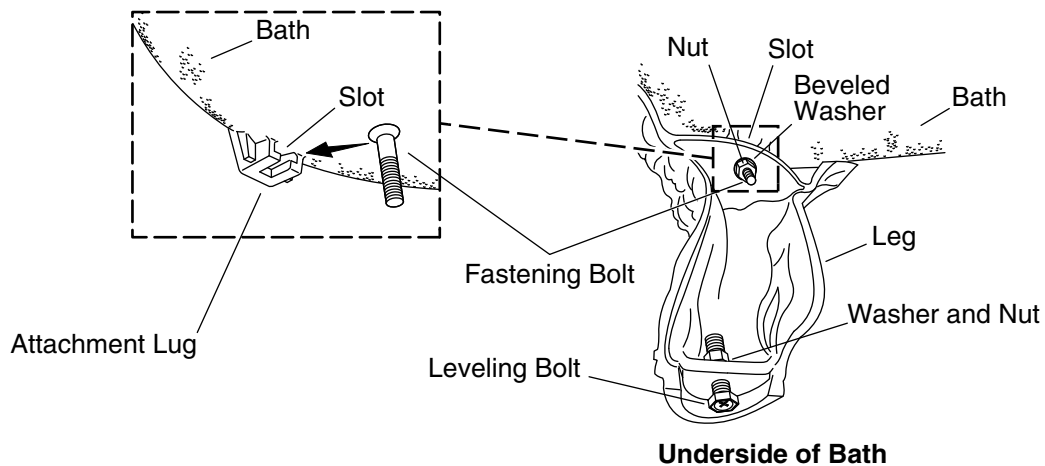
- Frame the floor or construct 2x4 or 2x6 stud framing according to the roughing-in information. Ensure there is a 1/16" (2 mm) gap between the finished deck/floor surface and the rim so the bath will not rest on the rim. Carefully lay out and cut the rough deck material.

### For Freestanding Installations:

- Install the finished flooring and wall materials.

### For All Installations:

- Position the plumbing according to the roughing-in information.
- Cap the supplies, and check for leaks.



## 2. Prepare the Bath



**CAUTION: Risk of personal injury.** Cast iron baths are extremely heavy. Obtain sufficient help to carefully lift or move the bath.



**CAUTION: Risk of property damage.** Do not support the bath by the rim.

### For All Installations:

- Remove the bath from its carton and place it on a clean drop cloth or other protective floor covering to prevent damage to the bath or floor.

### For Freestanding Installations:

**IMPORTANT!** Install the two front legs on the drain end of the bath first. Obtain sufficient help to lift the drain end of the bath to allow clearance for leg attachment.

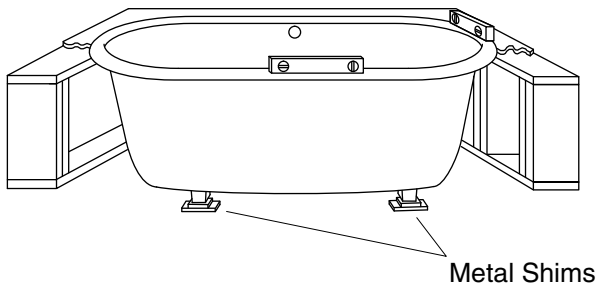
- Insert the head of a fastening bolt into a slot on the underside of the bath.

**IMPORTANT!** Overtightening the nut may cause the top of the leg to pull away from the bath wall.

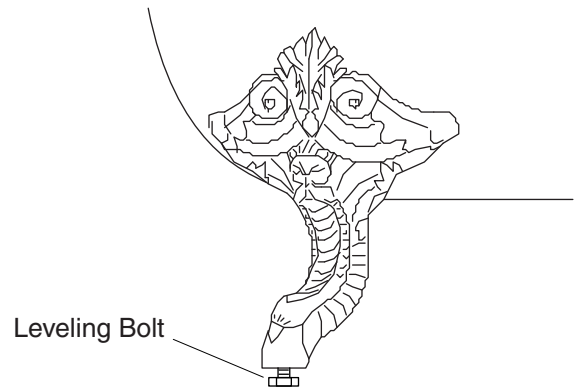
- Assemble a leg, beveled washer, and nut onto the fastening bolt. Use an adjustable wrench to tighten the nut and secure the leg to the bath.
- Insert the head of a leveling bolt up through the bottom of the leg, as shown. Install a washer and nut to the leveling bolt.
- Wrench tighten the nut to secure the leveling bolt to the leg.
- Repeat this procedure to install the remaining legs.

### For All Installations:

- Install the drain to the bath according to the drain manufacturer's instructions. Do not connect the trap at this time.
- Position a clean drop cloth or similar material in the bottom of the bath. Be careful not to scratch the surface of the bath.
- Move the bath into place.



**Drop-In Installation**



**Freestanding Installation**

### 3. Level the Bath



**CAUTION: Risk of property damage.** Do not support the bath by the rim.

**IMPORTANT!** The bath must be level and resting on all four leveling bolts.

**IMPORTANT!** Provide adequate support under the leveling bolts.

- Verify the bath is level around the perimeter of the bath rim. If the bath is not level:

#### For Drop-in Installations

- Fit metal shims under the leveling bolts as needed. If the leveling bolts are not accessible from the back or side, move the bath in and out to gain access.

#### For Freestanding Installations

- Use an adjustable wrench to adjust the leveling bolts on the bottom of each leg, as needed.

### 4. Install the Plumbing



**CAUTION: Risk of property damage.** Make sure a watertight seal exists on all bath drain connections.

**NOTE:** Provide access to all plumbing connections to simplify future maintenance.

- Connect the trap to the drain according to the drain manufacturer's instructions.
- Install the faucet valve and riser tubes or wall-mount kit according to the manufacturer's instructions.
- Run water into the bath and check the drain connections for leaks.
- Fill the bath to the overflow and check for leaks.

### 5. Complete the Installation

#### For Drop-in Installations

- Cover the framing with water-resistant wall material.
- Seal the joints between the bath rim edges and the water-resistant wall material with silicone sealant.
- Tape and plaster the water-resistant wall material.

**Complete the Installation (cont.)**

- Install the finished wall. Seal the joints between the bath rim and the finished wall with silicone sealant.
- Allow the silicone sealant to cure before using the bath. Refer to the silicone sealant manufacturer's instructions for cure time.



USA/Canada: 1-888-4-KALLISTA

Fax: 1-888-272-3094

[kallista.com](http://kallista.com)

KALLISTA®

©2016 KALLISTA

1008431-2-C