

KALLISTA® Bellis® Pressure Balance Valve Trim & Pressure Balance Valve Trim with Diverter

FEATURES

- Solid brass construction for durability and reliability
- Pressure-balancing technology maintains water temperature within +/- 3 degrees Fahrenheit
- High-temperature limit stop helps eliminate scalding
- Coordinates with the Bellis collection

Codes/Standards Applicable

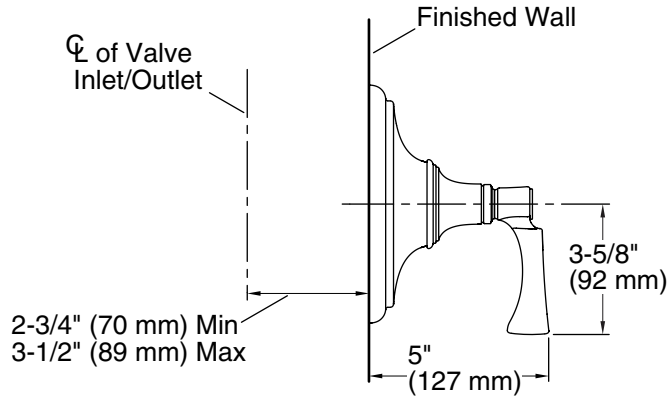
Specified model meets or exceeds the following:

- ASME A112.12.1/CSA B125.1
- IAPMO/cUPC Listed
- ADA

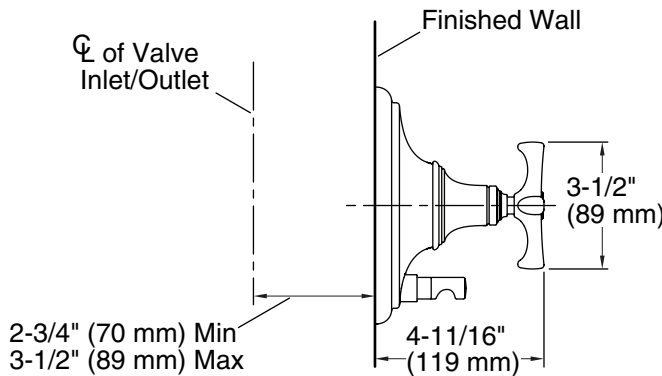
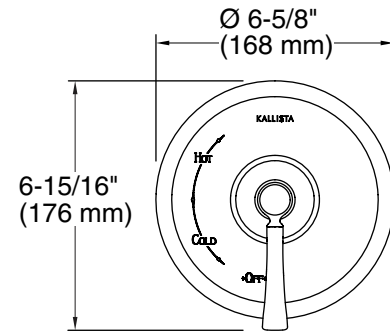
P24615

P24616

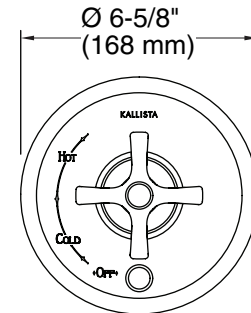
ADA



P24615-LV



P24616-CR



SPECIFIED MODEL			
Model	Description	Finishes	
P24615-CR	Bellis Pressure Balance Valve Trim, Cross Handle	<input type="checkbox"/> CP Polished Chrome	<input type="checkbox"/> AD Nickel Silver
		<input type="checkbox"/> AG Brushed Nickel	<input type="checkbox"/> ULB Unlacquered Brass
P24615-LV	Bellis Pressure Balance Valve Trim, Lever Handle	<input type="checkbox"/> CP Polished Chrome	<input type="checkbox"/> AD Nickel Silver
		<input type="checkbox"/> AG Brushed Nickel	<input type="checkbox"/> ULB Unlacquered Brass
P24616-CR	Pressure Balance Valve Trim with Diverter, Cross Handle	<input type="checkbox"/> CP Polished Chrome	<input type="checkbox"/> AD Nickel Silver <input type="checkbox"/> AG Brushed Nickel
P24616-LV	Pressure Balance Valve Trim with Diverter, Lever Handle	<input type="checkbox"/> CP Polished Chrome	<input type="checkbox"/> AD Nickel Silver <input type="checkbox"/> AG Brushed Nickel
Required Rough-in (1 required)			
P19310-00	Pressure Balance Rough-in for P24615	<input type="checkbox"/> NA	
P19310-WS	Pressure Balance Rough-in with Stops for P24615	<input type="checkbox"/> NA	
P29306-WS	Pressure Balance High-Flow Rough-in for P24615	<input type="checkbox"/> NA	
P29500-00	Pressure Balance Rough-in & Thermostatic Cartridge for P24615	<input type="checkbox"/> NA	
P29500-WS	Pressure Balance Rough-in & Thermostatic Cartridge with Stops for P24615	<input type="checkbox"/> NA	
P29305-00	Pressure Balance with Diverter Rough-in for P24616	<input type="checkbox"/> NA	
P29305-WS	Pressure Balance with Diverter Rough-in with Stops for P24616	<input type="checkbox"/> NA	

We reserve the right to make revisions without notice in the design of products or in packaging unless this right has specifically been waived at the time the order is accepted.