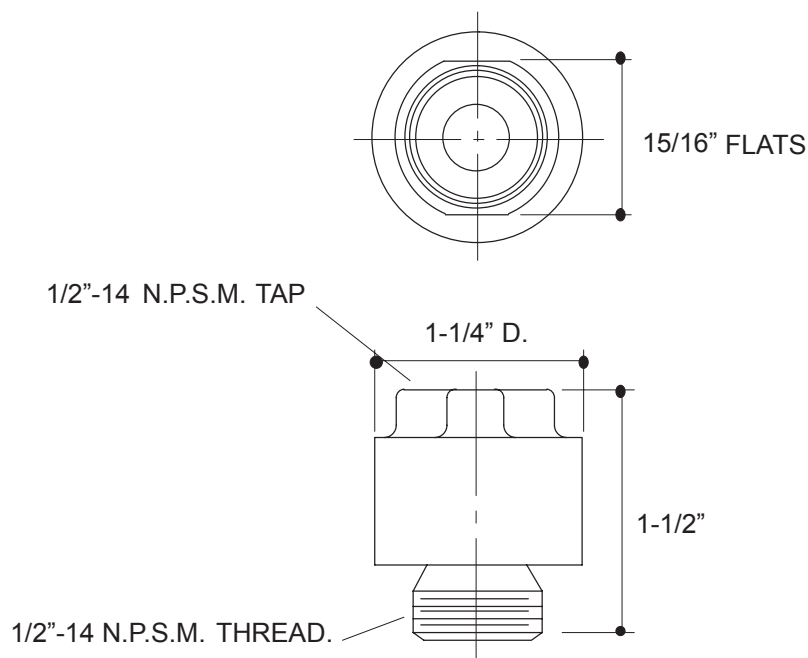


FEATURES

- Brass Construction
- Accessory for hand shower systems



SPECIFIED MODEL		
Model	Description	Finishes
L19100	Vaccum Breaker	<input type="checkbox"/> CP Polished Chrome
P19100	Vacuum Breaker	<input type="checkbox"/> AG Brushed Nickel

We reserve the right to make revisions without notice in the design of products or in packaging unless this right has specifically been waived at the time the order is accepted.