

KALLISTA Pure Paletta™ Freestanding Bath Faucet

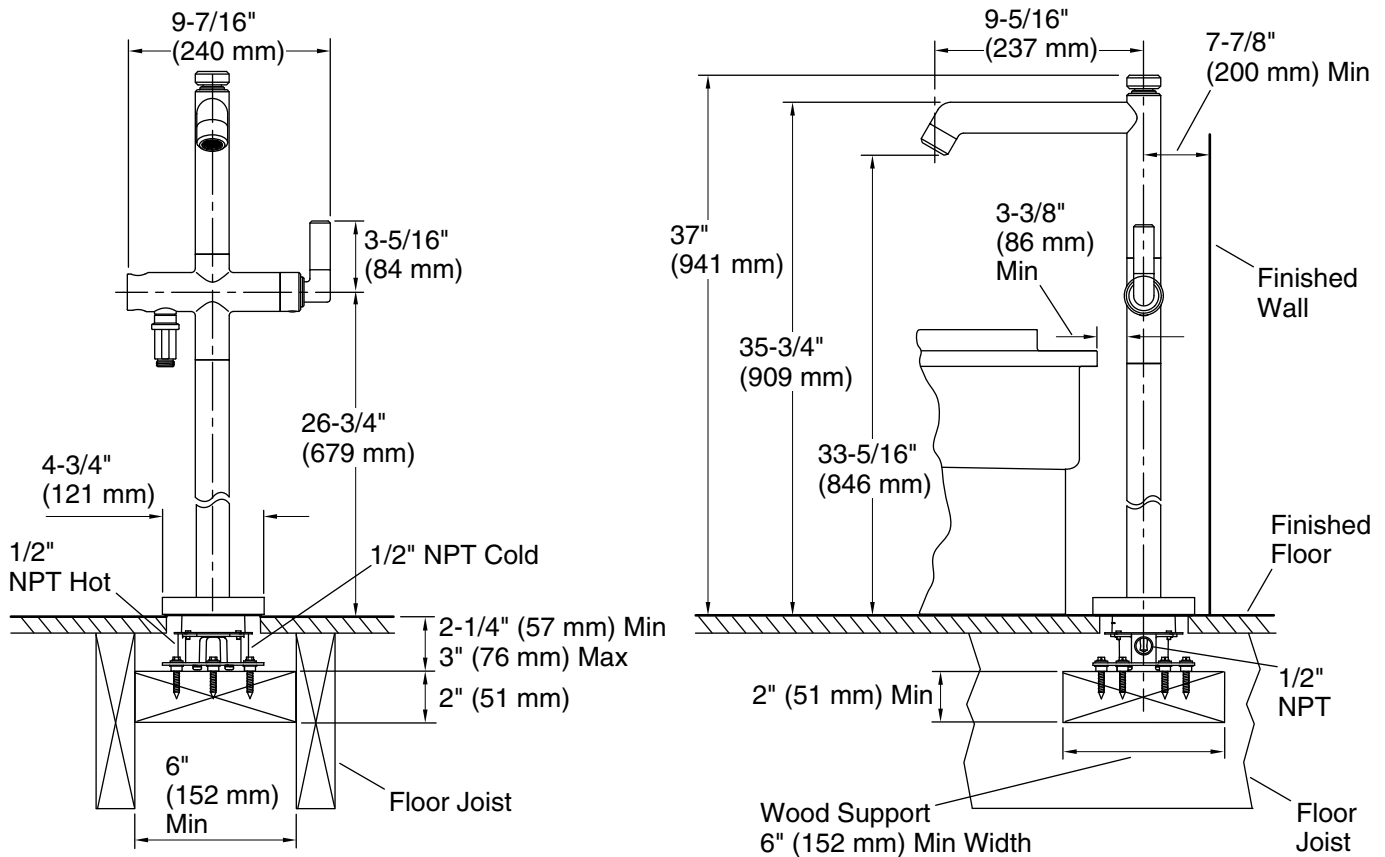
FEATURES

- Solid brass construction for durability and reliability
- Floor-mount installation
- 9-5/16" (237 mm) spout reach
- 8 gal/min (30 l/min) flow rate
- Integral valve
- Includes hardware kit and escutcheon
- Complements the Pure Paletta collection

CODES/STANDARDS APPLICABLE

- Specified model meets or exceeds the following:
- ASME A112.18.1/CSA B125.1
 - ASSE 1014

P24908



SPECIFIED MODEL

Model	Description	Finishes		
P24908-LV	Pure Paletta Freestanding Bath Faucet	<input type="checkbox"/> CP Polished Chrome	<input type="checkbox"/> AD Nickel Silver	<input type="checkbox"/> AG Brushed Nickel
		<input type="checkbox"/> BZ Antique Bronze	<input type="checkbox"/> ULB Unlacquered Brass	
Required Accessories				
P24175-00	Laura Kirar Handshower and Hose	<input type="checkbox"/> CP Polished Chrome	<input type="checkbox"/> AD Nickel Silver	<input type="checkbox"/> AG Brushed Nickel
		<input type="checkbox"/> BZ Antique Bronze	<input type="checkbox"/> ULB Unlacquered Brass	

We reserve the right to make revisions without notice in the design of products or in packaging unless this right has specifically been waived at the time the order is accepted.