

FEATURES

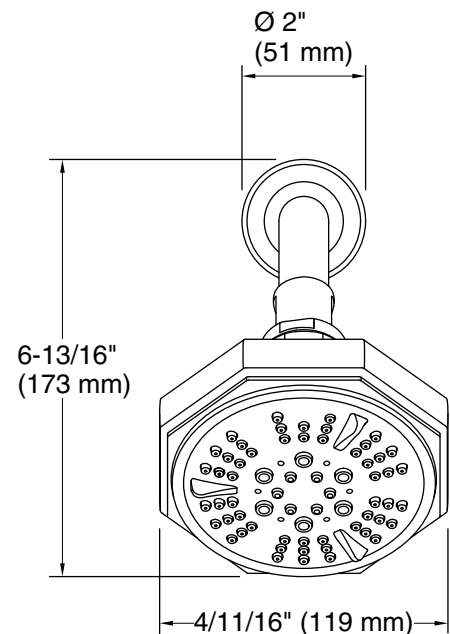
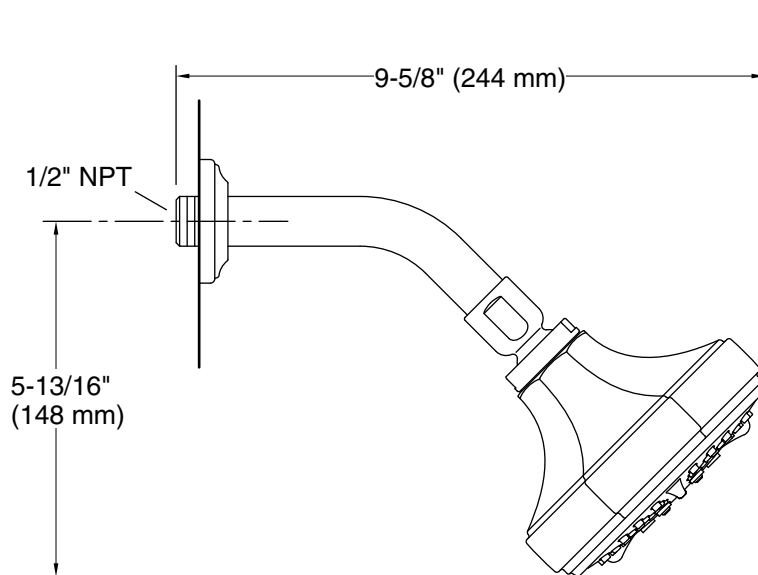
- Solid brass construction for durability and reliability
- Sprayface resists hard water build-up and is easy to clean
- 1.75 gal/min (6.6 l/min) flow rate
- Three spray options available with a simple turn (wide coverage spray, rhythmic pulse spray, and soft aerated spray)
- Complements the For Town collection

CODES/STANDARDS APPLICABLE

Specified model meets or exceeds the following:

- ASME A112.18.1/CSA B125.1
- EPA WaterSense® (Pending)

P21542



SPECIFIED MODEL

Model	Description	Finishes		
P21542-00	For Town Multi-Function Showerhead with Arm	<input type="checkbox"/> CP Polished Chrome	<input type="checkbox"/> AD Nickel Silver	<input type="checkbox"/> AG Brushed Nickel

We reserve the right to make revisions without notice in the design of products or in packaging unless this right has specifically been waived at the time the order is accepted.