

KALLISTA®

Plié® Two-Piece Toilet

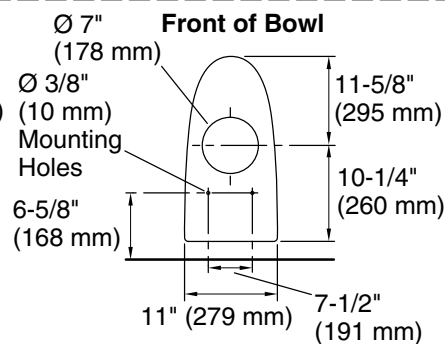
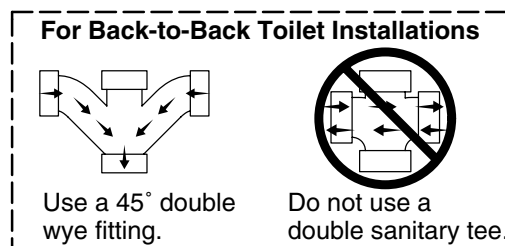
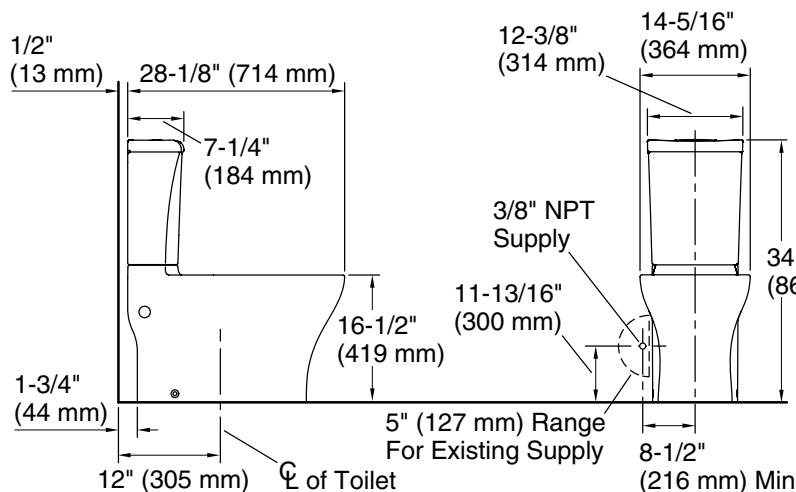
FEATURES

- Vitreous china
- Elongated bowl
- Two-piece; chair-height seating
- Two-bolt installation system
- Supply line included
- Dual flush flushing system
- Includes polished chrome finished brass flush actuator

CODES/STANDARDS APPLICABLE

- Specified model meets or exceeds the following:
- ASME A112.19.2/CSA B45.1
 - ASME A112.19.14
 - EPA WaterSense®

P70311, P70312, Combination P70310



INSTALLATION NOTES

IMPORTANT! The rough-in must be 12" (305 mm) or more from the base of the wall or baseboard. Install or relocate the supply and outlet as necessary to conform to rough-in dimensions.

For back-to-back toilet installations: Use only a 45° double wye fitting.

For new construction, install a new supply stop following the dimensions in the diagram.

For installations with an existing supply stop, the supply stop may need to be relocated if it is less than 8-1/2" (216 mm) from the centerline of the toilet. Dry fit the toilet to confirm if the supply stop needs to be relocated.

The supplied hose will extend roughly 6" (152 mm) from the toilet. If the supplied hose does not reach the supply stop, a longer supply hose may be used.

PRODUCT INFORMATION

Fixture:	
Configuration	two-piece, elongated
Water per flush	1.6 gal (6 L) or 1.0 gal (3.8 L)
Passageway	2" (51 mm)
Water area	4-1/2" (114 mm) x 5-3/4" (146 mm)
Water depth from rim	8-1/2" (216 mm)
Seat post hole centers	5-1/2" (140 mm)

SPECIFIED MODEL

Model	Description	Finishes		
P70310-00	Plié Two-Piece Toilet	<input type="checkbox"/> 0 Stucco White		
P70311-00	Plié Toilet Bowl	<input type="checkbox"/> 0 Stucco White		
P70312-00	Plié Toilet Tank	<input type="checkbox"/> 0 Stucco White		
Recommended Accessories				
P70313-CP, AD, AG, BL, BV, or PB	Contemporary Toilet Seat with Finished Brass, Slow-Close Hinges	<input type="checkbox"/> 0 Stucco White		
Optional Accessory				
P70314-00	Dual Flush Actuator Finish Upgrade	<input type="checkbox"/> AD Nickel Silver	<input type="checkbox"/> GN Gunmetal	<input type="checkbox"/> W7 Black Nickel
		<input type="checkbox"/> AG Brushed Nickel	<input type="checkbox"/> LB Bronze	<input type="checkbox"/> ULB Unlacquered Brass
		<input type="checkbox"/> BL Matte Black	<input type="checkbox"/> BV Brushed Bronze	<input type="checkbox"/> AF French Gold

We reserve the right to make revisions without notice in the design of products or in packaging unless this right has specifically been waived at the time the order is accepted.