

Features

- Rounded glass shades join pristinely with decorative mounts, creating an elegant simplicity
- Sconces can be positioned up or down, depending on room setting
- Candelabra base (E12) socket, works best with B11 or T8 bulb (sold separately)
- Suitable for damp locations, per UL 1598
- Includes installation hardware
- Coordinates with other products in the Crue collection

Material

- Manufactured with quality materials and complemented with a meticulous finishing process
- Durable finishes engineered to last and designed to coordinate with KOHLER faucet finishes



Codes/Standards

UL 1598
CSA C22.2 No. 250.0

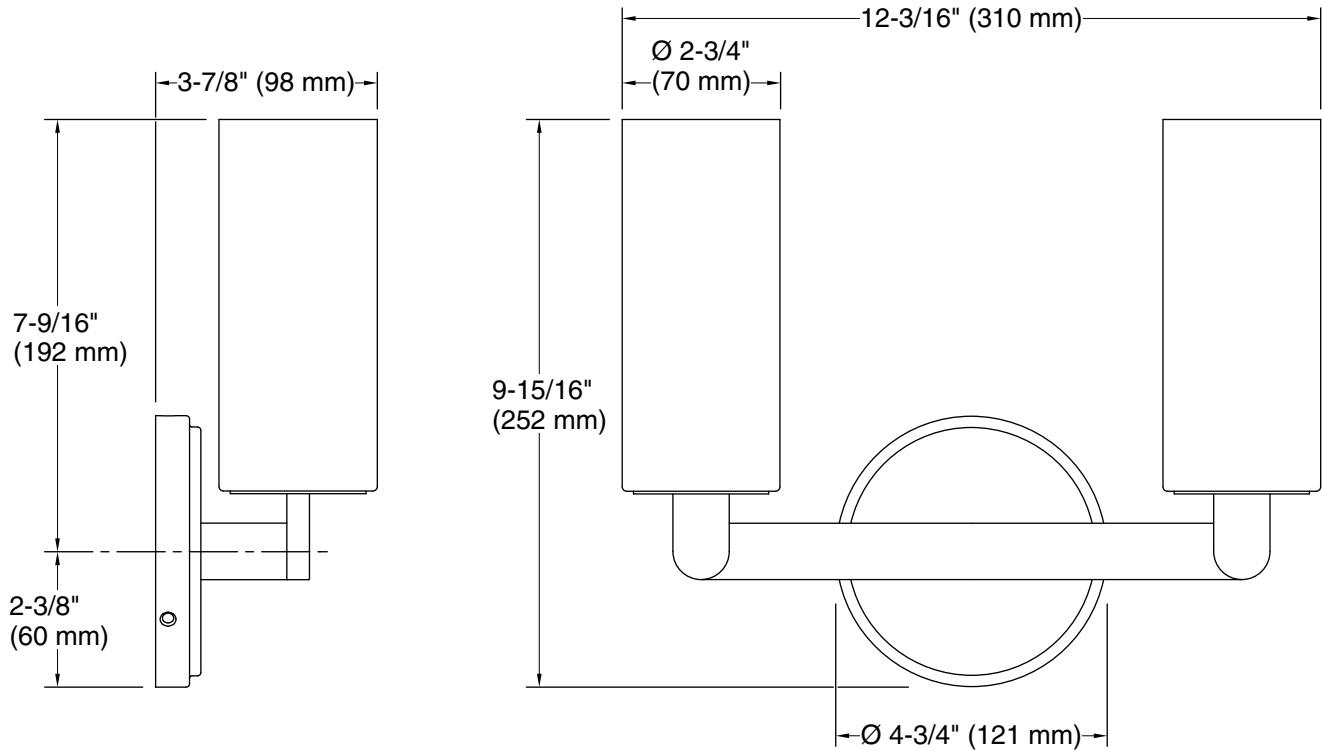
KOHLER® Indoor Lighting Fixtures Limited Warranty

See website for detailed warranty information.

Available Colors/Finishes

Color tiles intended for reference only.

Color	Code	Description
	TTL	Titanium
	BNL	Brushed Nickel
	CPL	Polished Chrome
	BLL	Matte Black
	2GL	Brushed Moderne Brass



Required Electrical Service

One circuit required.

120 V, 0.667 A, 60 Hz

Notes

Install this product according to the installation instructions.

Technical Information

All product dimensions are nominal.

Material:	Steel, Glass, Aluminum
Number of Lights:	2
Lighting Type:	Socket-based
Socket Type:	E-12 Candelabra
Number of Shades:	2
Shade Type:	Frosted Glass
Hanging Type:	Non-hanging
Height:	9-15/16" (252 mm) - 9-15/16" (252 mm)