

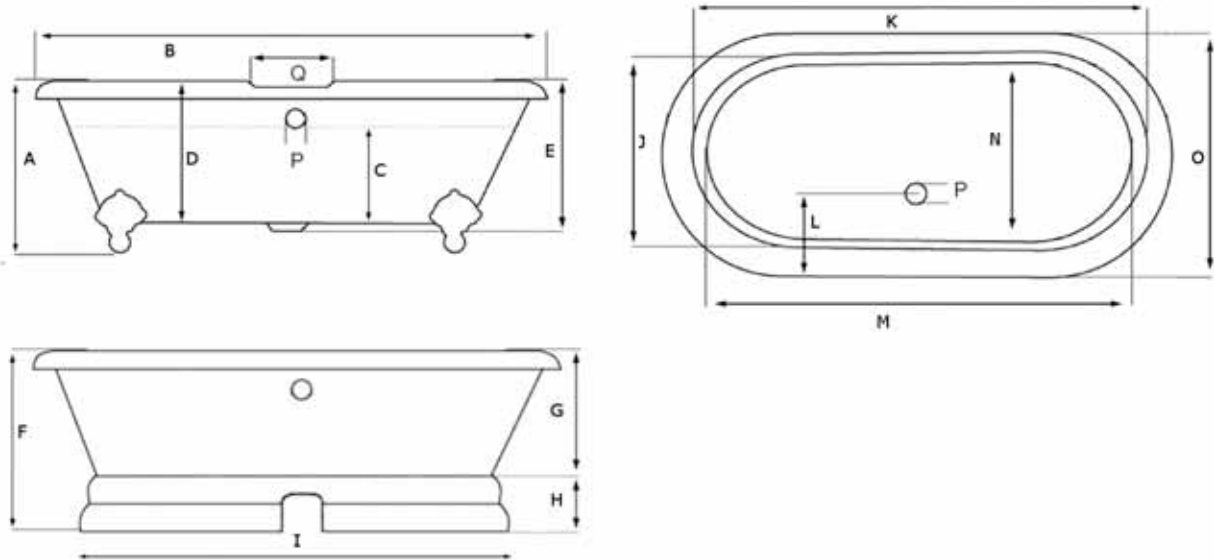


MAIDSTONE

www.MaidstoneSupply.com

Double Ended

Part No:1202DE



DIMENSIONS (INCHES)

	A	B	C	D	E	F	G	H	I	J	K	L	M	N	O	P	Q
60	25	60 ¹ / ₂	13	18	19	-	-	-	-	24	51 ¹ / ₂	11 ¹ / ₂	35 ¹ / ₂	17	30	2 ¹ / ₅	12
60*	-	60 ¹ / ₂	13	18	19	24 ¹ / ₂	17 ¹ / ₂	6 ¹ / ₂	50	24	51 ¹ / ₂	11 ¹ / ₂	35 ¹ / ₂	17	30	2 ¹ / ₅	12
66	25	66 ³ / ₄	13	18	19	-	-	-	-	24	61 ¹ / ₂	11 ¹ / ₂	40 ¹ / ₂	17	30	2 ¹ / ₅	12
66*	-	66 ³ / ₄	13	18	19	22 ¹ / ₂	16 ¹ / ₂	6	51	24	61 ¹ / ₂	11 ¹ / ₂	40 ¹ / ₂	17	30	2 ¹ / ₅	12
71	25	70 ¹ / ₂	13	18	19	-	-	-	-	25 ¹ / ₂	65	11 ¹ / ₂	45	17	31 ¹ / ₂	2 ¹ / ₅	12
71*	-	70 ¹ / ₂	13	18	19	23 ¹ / ₂	17	6 ¹ / ₂	61	25 ¹ / ₂	65	11 ¹ / ₂	45	17	31 ¹ / ₂	2 ¹ / ₅	12

	60	60*	66	66*	71	71*
EMPTY (LB)	66	100	75	83	79	115
FILLED (LB)	372	420	409	492	487	520
CAPACITY (GAL)	45	42	49	49	49	49
WATER DEPTH (IN)	13	13	13	13	13	13

Approximate Measurements

*Pedestal

Contact Maidstone for additional information and specifications. For complete warranty information and a list of dealers visit www.MaidstoneSupply.com. All products and specifications are subject to change without notice. Maidstone is not responsible for typographical and/or dimensional errors. Typographical errors are subject to correction.

Note: Rough-in dimensions may vary +/- 1/2" and are subject to change. No responsibility is assumed by Maidstone.