

Tub Shelf

GENERAL SPECIFICATIONS

Material - SculptureStone®

Lead Time - 15 Business Days



60" shelf shown above with Alissa tub model.

Sizes	Finish	Part #	Price
36" l x 5" d x 4" h	Matte	SSTS36MT	\$1,110
	Gloss	SSTS36GL	\$1,200
42" x 5" d x 4" h	Matte	SSTS42MT	\$1,260
	Gloss	SSTS42GL	\$1,420
60" x 5" d x 4" h	Matte	SSTS60MT	\$1,405
	Gloss	SSTS60GL	\$1,700

**Packaging / Handling
Fee Applies**

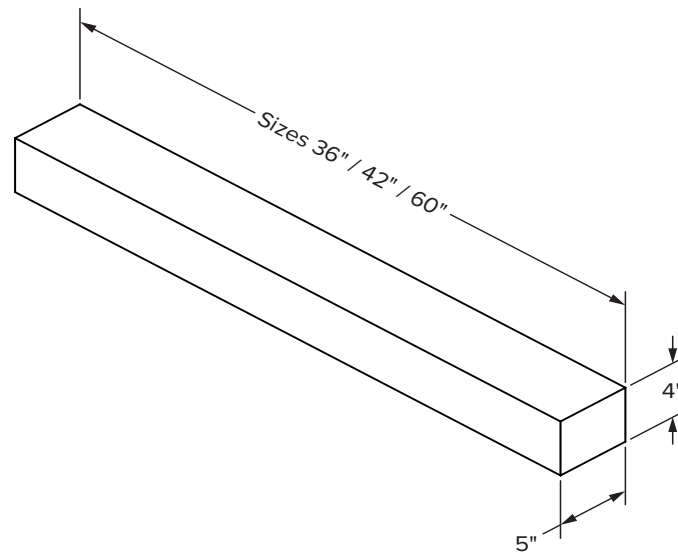
Standard Options
Colors
White (CWH) No Charge
Biscuit (CBIN) No Charge

For best color match, order with Boutique Collection Tub or Shower Base.

CONSTRUCTION AND FEATURES

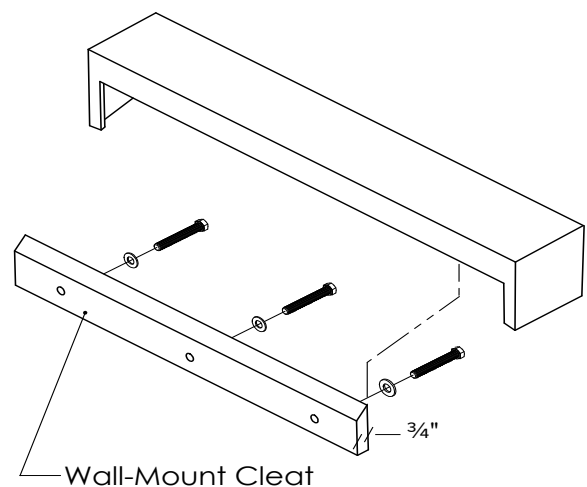
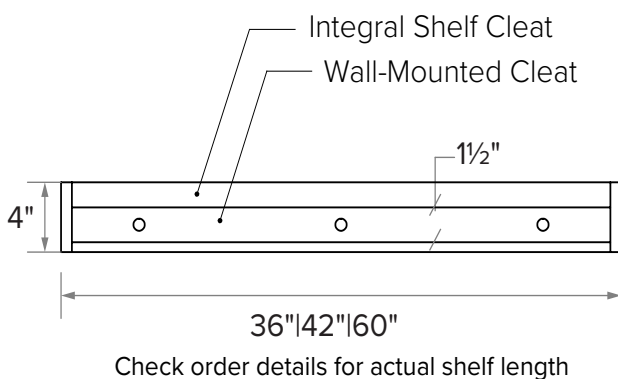
- Constructed of MTI's SculptureStone® material.
- Smooth, durable surface combines beauty with practicality.
- Beautifully finished on all five sides.
- Includes wall cleat for mounting.
- Ideal surface for holding a book, beverage or bath accessories.
- Unsurpassed quality and workmanship.
- Custom sizes available for quote. Contact MTI Baths.
- Handcrafted in the USA.

Boutique Tub Shelf



- **Wall-mount cleat must be secured to wall studs when installing shelf onto drywall.**
- **Selected bolts must be countersunk into wall mount face for proper fit of integral shelf cleat*.**
- **Hardware is not included. Must be provided by installer.***

1. Before installing the provided wall-mount cleat, temporarily fit the loose wall-mount cleat to the rear of the shelf's integral cleat and measure the distance from the top of the shelf to the bottom of the wall-mount cleat.
2. Mark the wall at the measured distance from the top of the shelf to the bottom of the wall-mount cleat.
3. Using a level, align the bottom of the wall-mount cleat with your mark on the wall to more clearly indicate the leveled location of the wall-mount cleat.
4. Mark the wall-mount cleat at the wall stud locations. We recommend mounting cleat directly into as many studs as possible when installing shelf onto drywall*.
5. Drill pilot holes through the wall mount cleat (these holes should be smaller than those required for selected bolt size).
6. Use the wall-mount cleat as your template to mark hole locations on the wall.
7. Hold cleat to wall at marked hole locations to drill pilot holes into studs.
8. Secure mounting cleat with selected hardware. Countersink bolt heads for smooth fit of cleat.
9. Place shelf onto secured wall-mount cleat and check for level.



***MTI DOES NOT PROVIDE** any installation hardware with the Boutique Tub Shelf. All hardware must be supplied by installer for each application. Installation of the wall-mount cleat to studs is recommended. However, alternatives include installation on a finished tile wall, ensuring that a sufficient number of mollies are used to support the weight of the shelf and any planned accessories.