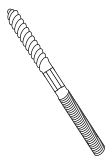


Following these mounting instructions with the hardware included will be more than sufficient to support semi-pedestal installation.

### Included Sink Installation Hardware



x2 Hanger Bolts (8mm)



x2 Wall Anchor



x2 Washer



x2 Insulation Sleeve



x2 Spring Mounts

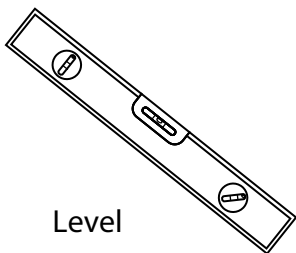


x4 Nuts

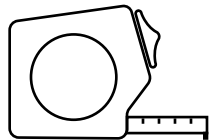


x2 Washer

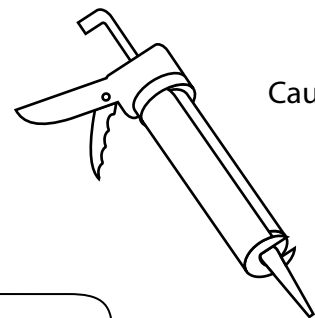
### Tools You May Need



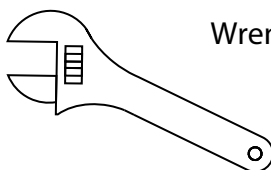
Level



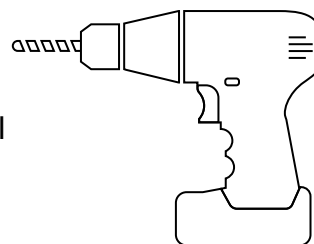
Tape Measure



Caulk



Wrench

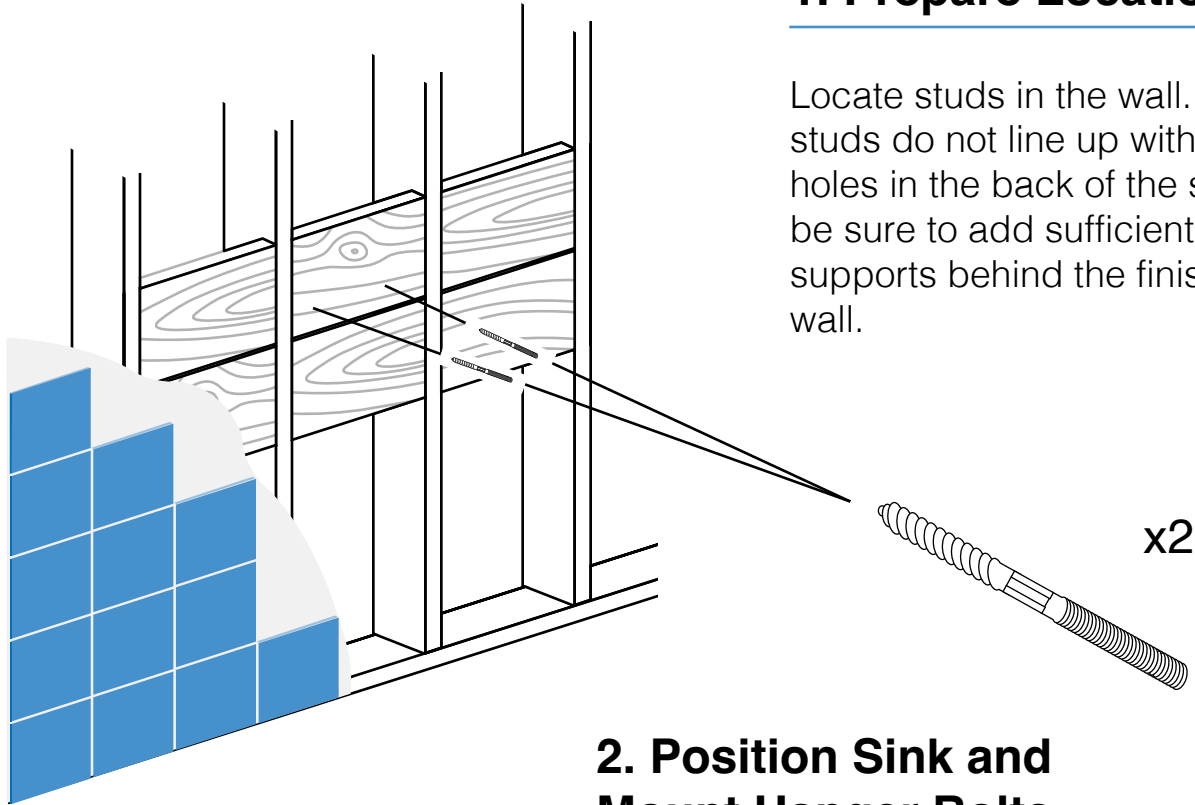


Drill

## 1. Prepare Location

---

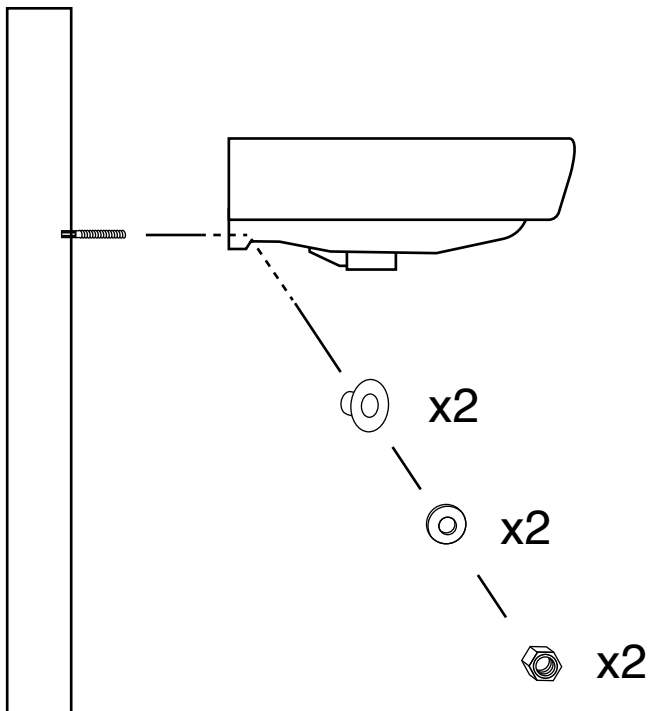
Locate studs in the wall. If the studs do not line up with the holes in the back of the sink, be sure to add sufficient wall supports behind the finished wall.



## 2. Position Sink and Mount Hanger Bolts

---

Position sink and mark the mounting hole locations. Drill pilot holes in wood and screw in hanger bolts. Check position with a level.



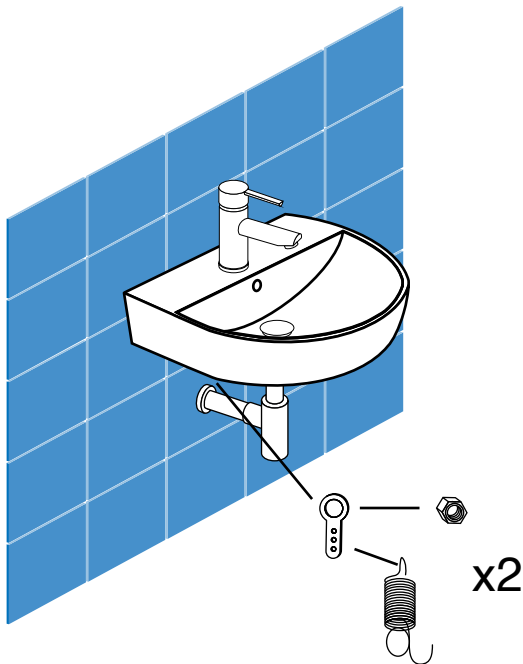
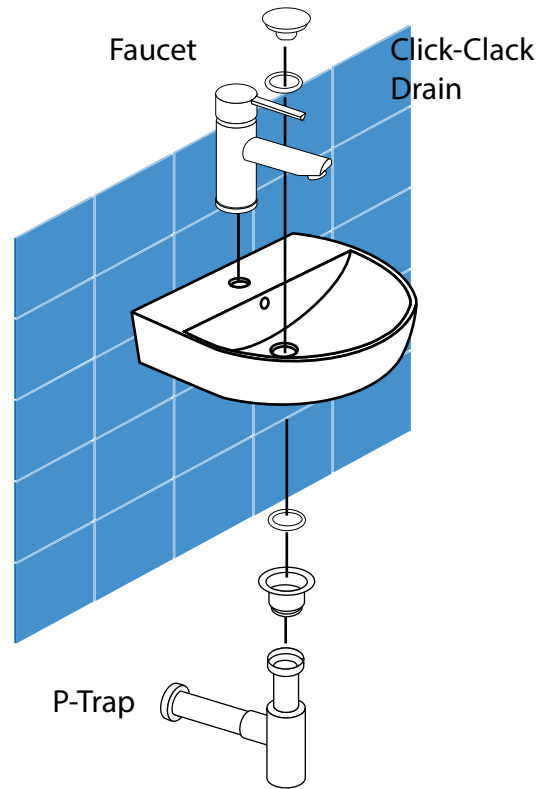
## 3. Secure Sink With Washers and Nuts

---

Thread the sink on to the two hanger bolts. Secure the sink with insulation sleeves, washers and nuts. Be careful not to over tighten the bolts. Overtightening can cause the sink to chip and crack.

## 4. Install Sink Accessories

Add preferred plumbing accessories, such as the faucet, click clack drain, p-trap and angle valves to your sink.



## 6. Attach Semi-Pedestal

Attach the semi-pedestal to the spring mounts. Be careful not to chip the finish. Finish installation with a bead of caulk between the sink and wall.

## 5. Attach Semi-Pedestal Mounting Hardware

Attach spring to washer and attach to sink hanger bolts with nuts. Hand tighten nuts.

