

Towel Ring
2540-1500

Features

- Solid brass construction
- Double-post design with spring-loaded, non-separating roller
- Complements Metro product series

Codes / Standards Compliance

Meets or exceeds the following at date of manufacture:

- All applicable US Federal and State material regulations



Colors / Finishes

- 10B: Oil Rubbed Bronze
 - 15: Polished Nickel
 - 15S: Satin Nickel - PVD
 - 26: Polished Chrome
- Other: Refer to the Newport Brass catalog for additional color/finish options.

Specified Model

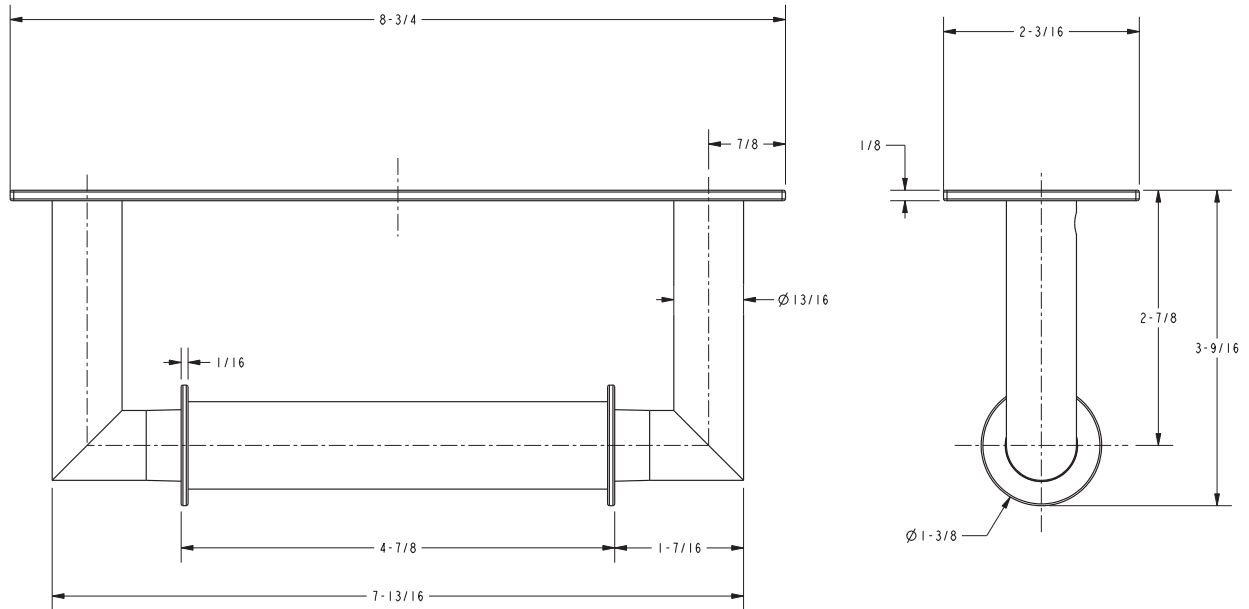
Model	Description	Colors Finishes				
2540-1500	Toilet Tissue Holder	<input type="checkbox"/> 10B	<input type="checkbox"/> 15	<input type="checkbox"/> 15S	<input type="checkbox"/> 26	<input type="checkbox"/> Other

Product Specification Add "Color / Finish" suffix to Model number, below.

The Toilet Tissue Holder shall be made of solid brass construction and incorporate a double-post design utilizing a non-separating, spring-loaded roller. Toilet Tissue Holder shall complement Newport Brass Metro product series. Toilet Tissue Holder shall be Newport Brass Model 2540-1500/_____.

2540-1500

PRODUCT DIMENSIONS *(Units are in inches)*



Metro Toilet Tissue Holder
2540-1500

NEWPORT BRASS
Flawless Beauty. From Faucet to Finish.™