

# NEWPORT BATH

## Features

- Solid brass construction
- Traditional styling
- Single function spray
- Rubber nozzles with finished spray surface
- Handshower incorporates twin back-check valves
- 1/2" NPT inlet elbow fitting
- 2-1/2" (6.4 cm) showerhead diameter
- 1.8 gallons (6.7 liters) per minute maximum flow rate showerhead

## Codes / Standards Compliance

Meets or exceeds the following at date of manufacture:

- ASME A112.18.1/CSA B125.1
- IAPMO/cUPC
- IPC
- Energy Policy Act of 1992
- EPA Watersense
- All applicable US Federal and State material regulations

## Colors / Finishes

- 10B: Oil Rubbed Bronze
- 15: Polished Nickel
- 15S: Satin Nickel - PVD
- 26: Polished Chrome
- Other: Refer to the Newport Brass catalog for additional color/finish options.

## Handshower Set 280K



## Specified Model

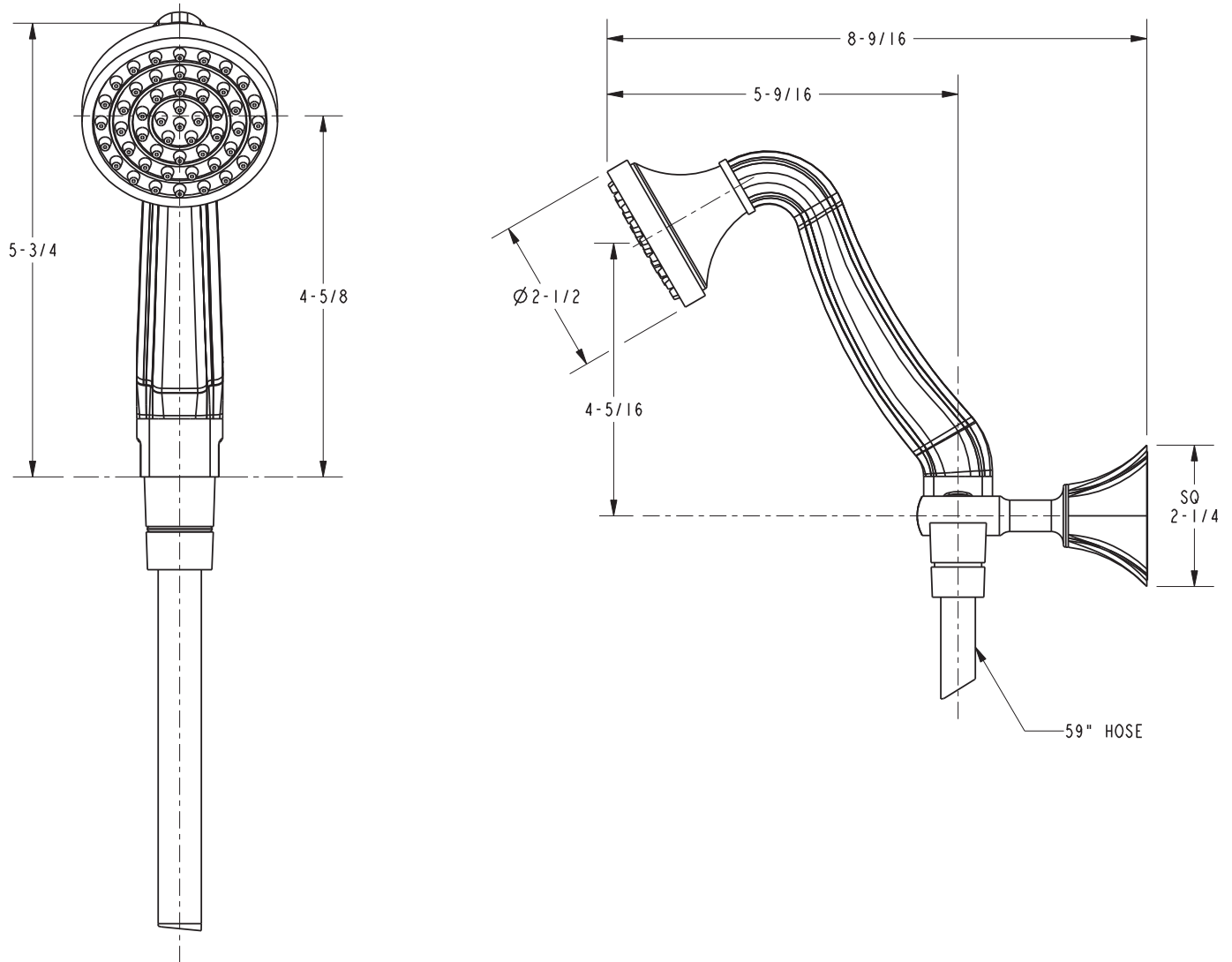
Model	Description	Colors   Finishes
280K	Handshower Set	<input type="checkbox"/> 10B <input type="checkbox"/> 15 <input type="checkbox"/> 15S <input type="checkbox"/> 26 <input type="checkbox"/> Other

## Product Specification: Add "Color / Finish" suffix to Model number, below.

The Handshower Set shall be of solid brass construction. Handshower Set shall have a single function spray pattern incorporating a finished spray surface and rubber nozzles to facilitate easy cleaning. Handshower Set shall incorporate twin back-check valves within the handshower handle. Handshower Set shall have a 1/2" NPT inlet elbow fitting and 2-1/2" (6.4 cm) showerhead diameter while operating at 1.8 gallons (6.7 liters) per minute maximum flow rate. Handshower Set shall be Newport Brass Model 280K/\_\_\_.

# 280K

## PRODUCT DIMENSIONS *(Units are in inches)*



### Newport Bath Handshower Set 280K