

Features

- Solid brass construction
- ADA compliant traditional lever handles
- 6-13/16" (17.3 cm) spout reach (wall-to-center)
- 1/2" NPT spout inlet fitting
- Intended for use with Newport Brass rough valve as specified (Required Accessory)
- Rough valve incorporates a brass valve body assembly
- Rough valve incorporates quarter-turn washerless ceramic disc valve cartridges

Codes / Standards Compliance

Meets or exceeds the following at date of manufacture:

- ASME A112.18.1/CSA B125.1
- IAPMO/cUPC
- NSF 61
- IPC
- ADA
- ICC/ANSI A117.1
- Energy Policy Act of 1992
- All applicable US Federal and State material regulations
- EPA Watersense

Wall-Mounted Lavatory Faucet
3-2451



Colors / Finishes

- 10B: Oil Rubbed Bronze
- 15: Polished Nickel
- 15S: Satin Nickel - PVD
- 26: Polished Chrome
- Other: Refer to the Newport Brass catalog for additional color/finish options.

Specified Model

Model	Description	Colors Finishes				
3-2451	Wall-Mounted Lavatory Faucet	<input type="checkbox"/> 10B	<input type="checkbox"/> 15	<input type="checkbox"/> 15S	<input type="checkbox"/> 26	<input type="checkbox"/> Other

Application	Wall Lavatory Valve
Description	2-Cartridge Assembly
Inlet/Outlet	1/2"
Part Number	1-532T
Image	

Product Specification Add "Color / Finish" suffix to Model number, below.

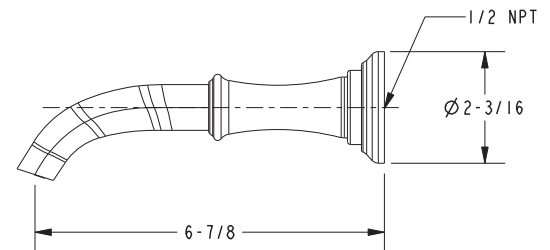
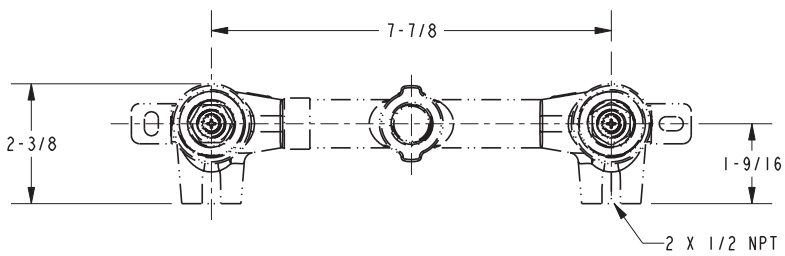
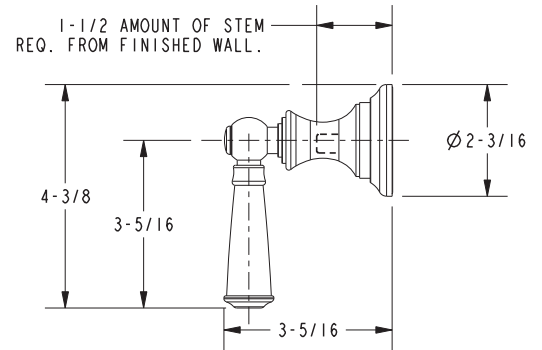
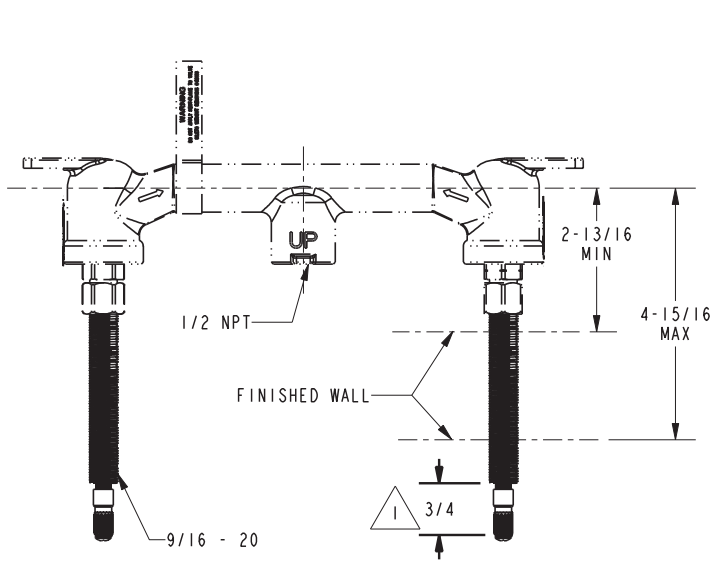
The Wall-Mounted Lavatory Faucet shall be made of solid brass construction. Wall-Mounted Lavatory Faucet shall incorporate ADA compliant lever handles and a 6-13/16" (17.3 cm) spout (wall-to-center) that incorporates a 1/2" NPT inlet fitting. Rough valve shall incorporate a brass valve body assembly and quarter-turn washerless ceramic disc valve cartridges. Wall-Mounted Lavatory Faucet shall be Newport Brass Model 3-2451/_____ and Newport Brass rough valve shall be 1-532T.

3-2451

PRODUCT DIMENSIONS *(Units are in inches)*

NOTES:

1. CUT ALL THREADS 3/4" SHORTER THAN STEM



Sutton Wall-Mounted Lavatory Faucet 3-2451