

## Silas® Pressure Balance Valve Trim

### FEATURES

---

- Lever handle
- Consistent trim appearance regardless of valve installation depth
- For use with the Pressure Balancing Valve (TSPTM)

### COLORS/FINISHES

---

- #CP Polished Chrome
- #BN Brushed Nickel
- #PN Polished Nickel

### CODES/STANDARDS

---

- Meets or exceeds ASME A112.18.1/CSA B125.1, ASSE 1016
- Certifications: IAPMO(cUPC), State of Massachusetts, City of Los Angeles, and others
- Code Compliance: UPC, IPC, NSPC, NPC Canada, and others
- ADA compliant



### PRODUCT SPECIFICATION

---

Pressure balance valve trim shall have a lever handle. Product shall be TOTO Model TS210P#\_\_\_\_ and required valve shall be TSPTM, sold separately.

# TS210P

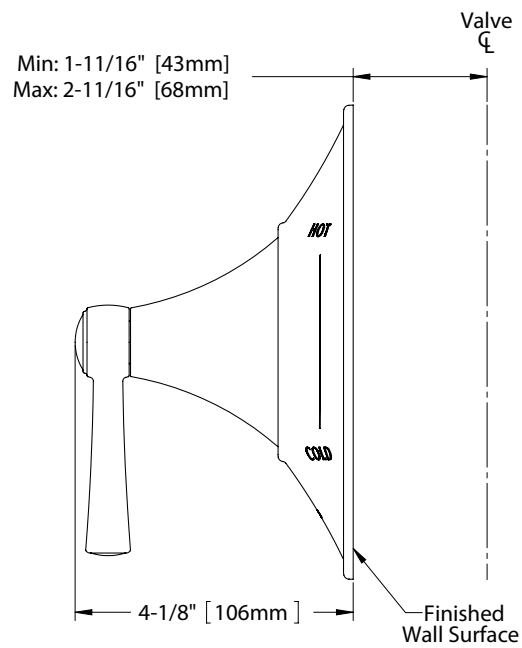
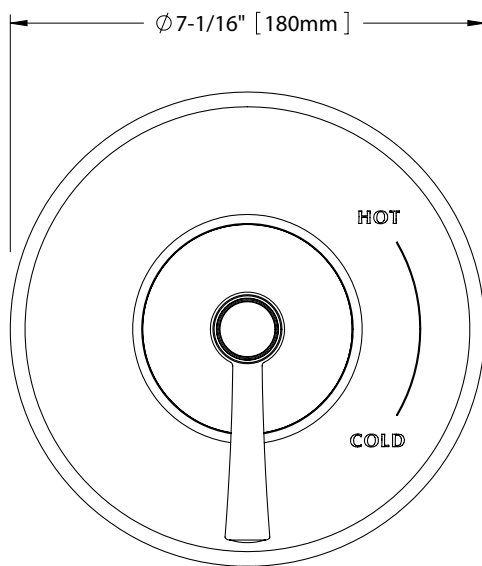
## Silas® Pressure Balance Valve Trim

### SPECIFICATIONS

- Warranty Lifetime Limited Warranty (Residential Use)  
One Year (Commercial Use)
- Material Brass
- Shipping Weight 3.2 lbs.
- Shipping Dimensions 8-1/2" L x 7-1/2" W x 5-1/2" H

### INSTALLATION NOTES

**VALVE REQUIRED:**  
Pressure balancing valve model TSPTM sold separately.



**TOTO®**

*These dimensions and specifications are subject to change without notice*