



**SPECIFICATIONS – SteamVection Steam Head**

Construction..... Brass  
Aromatherapy..... Integral Reservoir

**Installation Notes:**

The steam head should be installed 24 inches from the floor, and 6 inches from any corner, inside the shower only, and as far away from the controller and shower fixtures as possible.

The steam head housing requires a 1-1/8" hole in the shower wall, and must be flush with the finished wall and sealed to the wall to not allow vapor or water behind it. Use 1/2" copper fittings to attach the housing to the steam outlet. See the full steam head housing instructions within your generator installation guide.

**Product Specification:**

The steam head shall be approximately 1.75" x 1.75" in the square version, and a 1.75" Dia. For the round version. The steam head is made from brass alloy and includes an aromatherapy well.

**Finish Chart:**

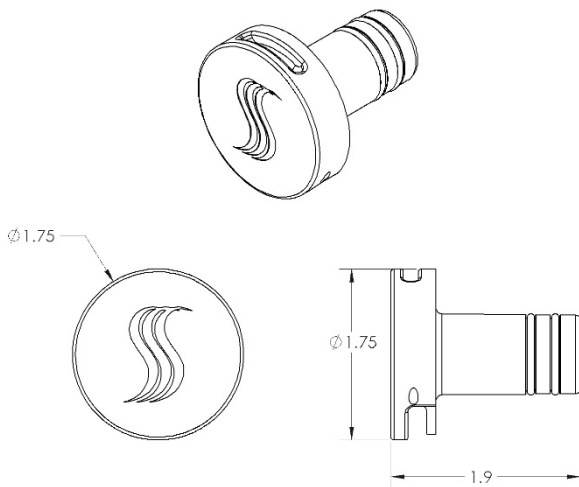
Select desired finish and replace XX with code. No-Touch Aromatherapy steam head and control finishes.

PC = Polished Chrome	PN = Polished Nickel
SC = Satin Chrome	SN = Satin Nickel
PB = Polished Brass	BN = Black Nickel
SB = Satin Brass	AN = Antique Nickel
AB = Antique Brass	PG = Polished Gold
COP = Polished Copper	ORB = Oil Rubbed Bronze
ACOP = Antique Copper	WHT = White
MB = Matte Black	

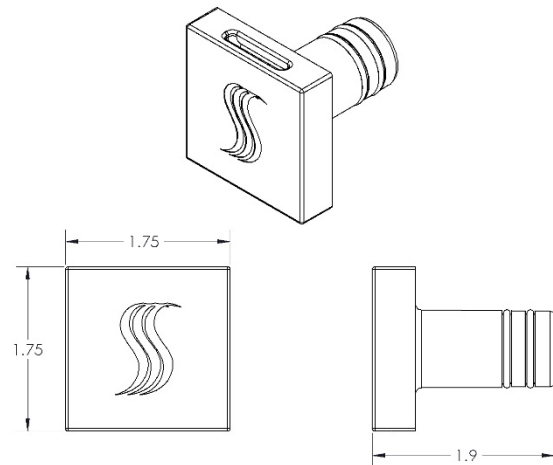
**Shipping Information:**

Weight..... 1 lbs.  
Length.....9.5 in.  
Width.....3.5 in.  
Height.....2.5 in.

For any further assistance please contact  
ThermaSol at 800.776.0711 or  
[sales@thermasol.com](mailto:sales@thermasol.com)



Round Style



Square Style