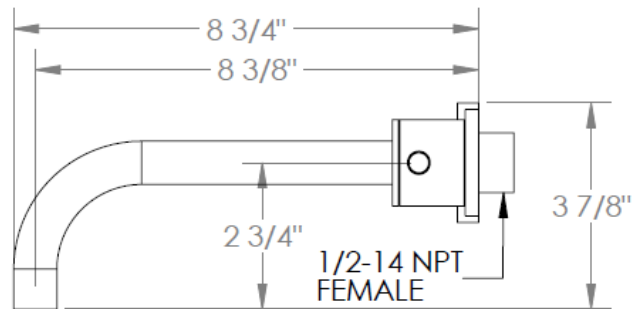
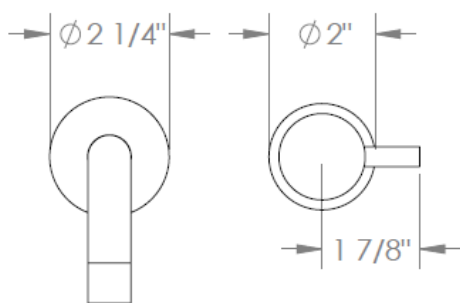


22-1.2M-TIC

Wall Mounted 2 Hole Lavatory Set
Does Not Include Drain
For use with SS-SHV1.2 concealed rough
Flow Rate: 1.2 GPM



Meets the applicable requirements of ASME A112.18.1-2005/CSA B125.1-05, entitled "Plumbing Supply Fittings".