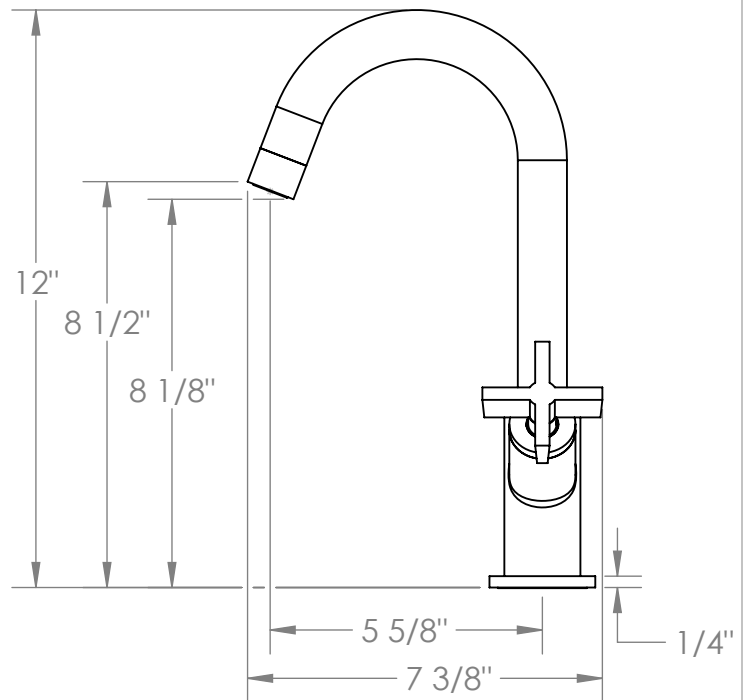
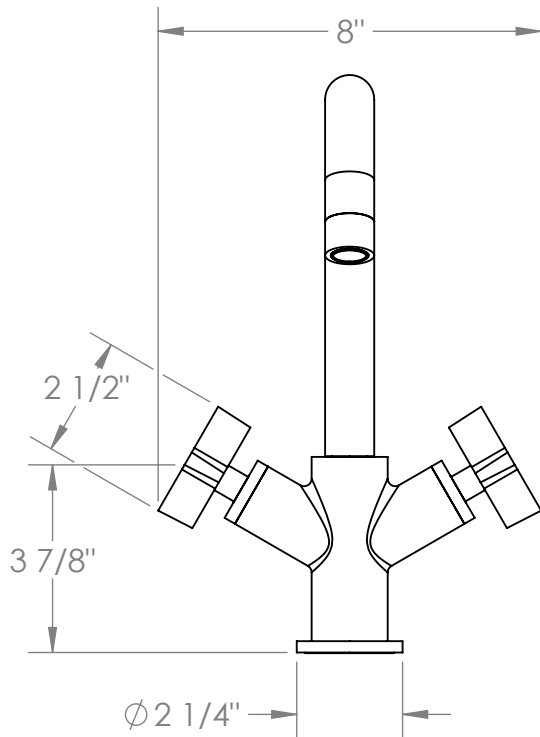


37-1-BL3

Deck Mounted 2 Handle Lavatory Monoblock
Flow Rate: 1.2 GPM



Meets the applicable requirements of ASME A112.18.1-2005/CSA B125.1-05, entitled "Plumbing Supply Fittings"