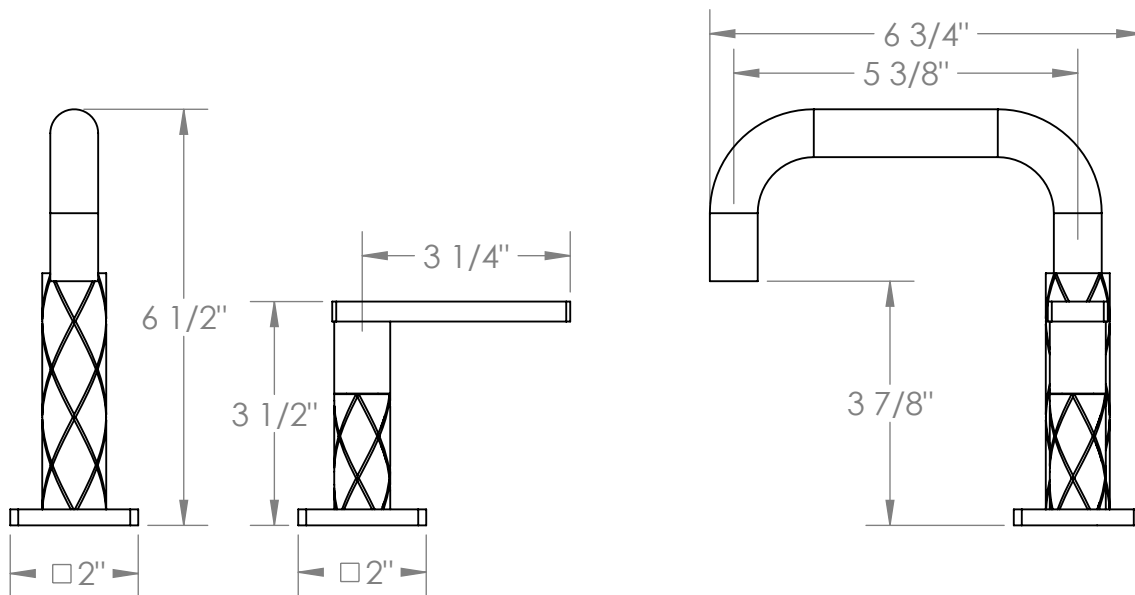


### 71-1.3-LLD4

Deck Mounted 2 Hole Lavatory Set

Flow Rate: 1.2 GPM

Includes MPU5 soft-touch drain



Meets the applicable requirements of ASME A112.18.1-2005/CSA B125.1-05, entitled "Plumbing Supply Fittings"

# **WATERMARK** DESIGNS 11/4/2019

350 Dewitt Ave Brooklyn NY 11207 USA T 718 257 2800 F 718 257 2144 info@watermark-designs.com