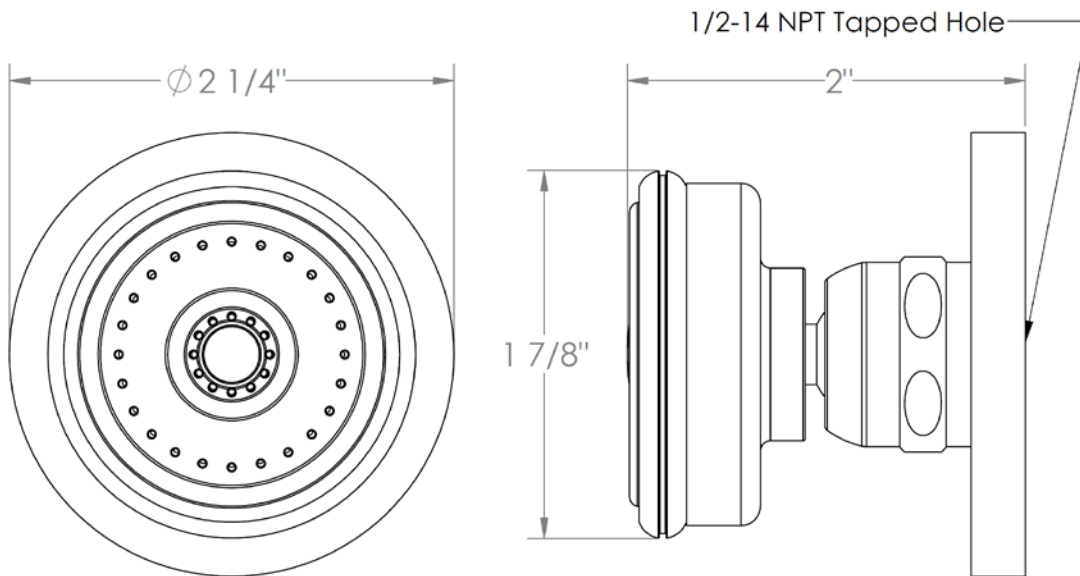


SS-BS1002

Body Spray with Ridged Face
Connections: 1/2" Female Supply
Flow Rate: 2.0 GPM @ 45 PSI



Meets the applicable requirements of ASME A112.18.1-2005/CSA B125.1-05, entitled "Plumbing Supply Fittings"

WATERMARK DESIGNS 4/9/2018

350 Dewitt Ave Brooklyn NY 11207 USA T 718 257 2800 F 718 257 2144 info@watermark-designs.com