

WYNDHAM COLLECTION

SUGGESTED TOOLS AND MATERIALS



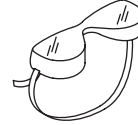
Silicone sealant



Channel Lock



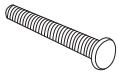
Tape Measure



Safety Glasses

PARTS / HARDWARE INCLUDED (for one sink)

A



4x

B



4x

C



4x

D



4x

E



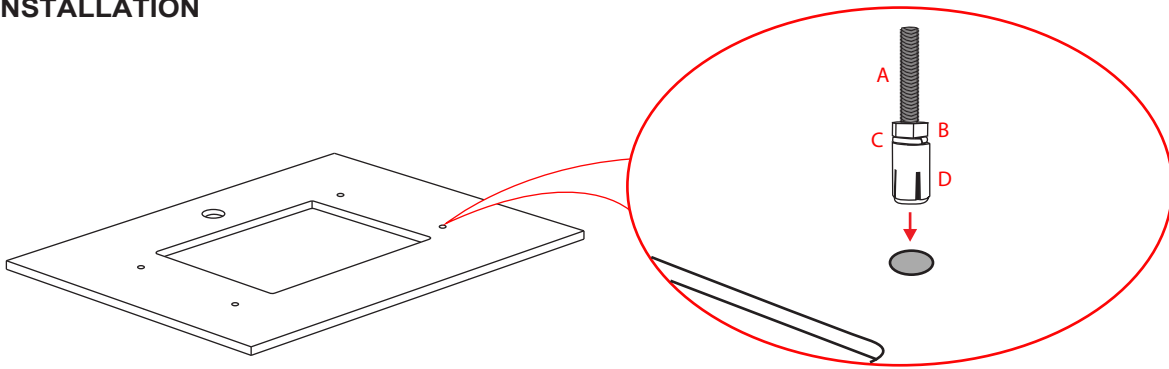
4x

F

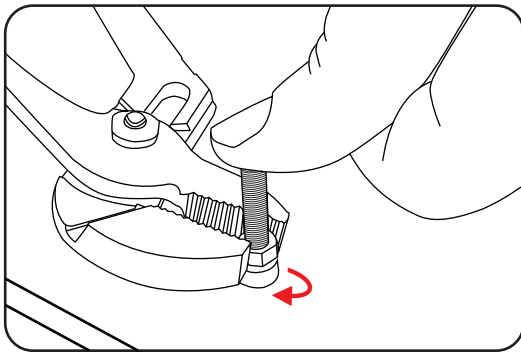


4x

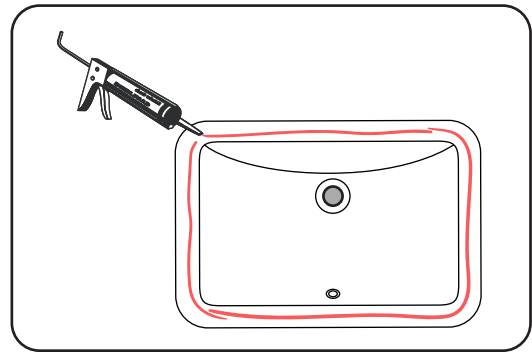
SINK INSTALLATION



- ① Turn the countertop upside down and place it on a clean surface. Place the hardware into the 4 holes, in the same order that is shown above.

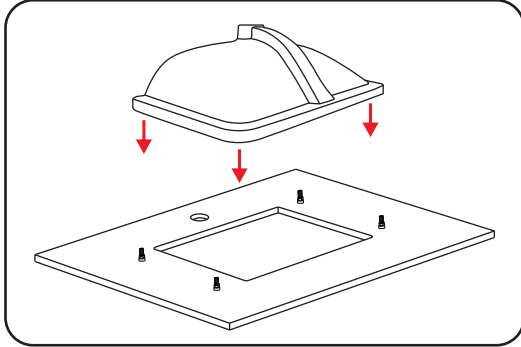


- ② Using the channel lock, tighten in the screws into each location. **Do not over-tighten.**

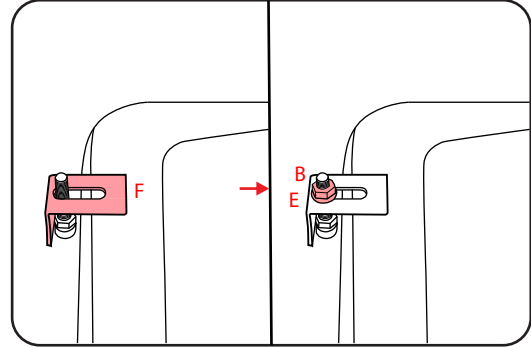


- ③ Apply a continuous bead of quality silicone sealant to the top surface (rim) of the sink. **Do not over apply.**

WYNDHAM COLLECTION



- ④ Turn the sink upside down and place it on a clean surface. Center the sink over the cutout.



- ⑤ Secure the sink to each of the four corners, using the remaining mounting kit and hardware provided. **Do not overtighten.**

- ⑥ Please allow 24 hrs. for the silicone sealant to properly cure, prior to continued installation of quartz countertop.

CARE AND CLEANING

For best results in caring for your quartz countertop, we suggest:

- Normal cleaning with a soft, damp cloth and mild detergent is all you need to keep the surface looking great.
- Never use strong / abrasive cleaner. Always test your cleaning solution on unnoticeable areas before applying to the entire surface.
- Thoroughly rinse off the soap / mild detergent with hot water after use. Dry with soft cloth or paper towel.
- Never use an abrasive material such as a brush or scouring pad to clean surfaces.
- In addition, never apply any sealers, penetrants, or topical treatments. Such products will cause the surface to appear dull or inconsistent.
- Those wishing to use environmentally safe cleaners, may also use a combination of 50/50 vinegar and water, rinsing afterwards.
- Do not allow cleaner to sit or soak. Never let cleaners sit on the surface of the stone for long periods of time.