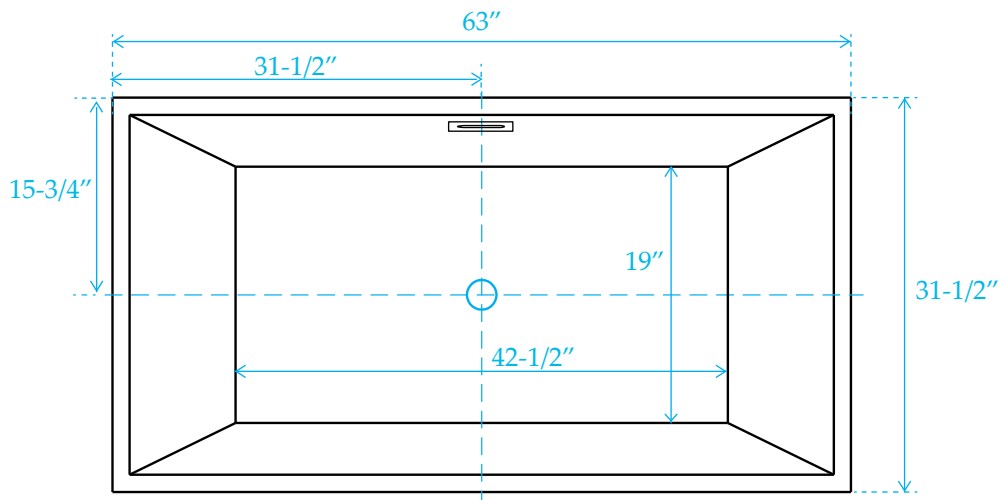
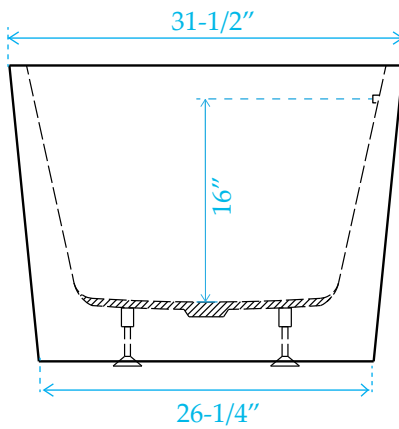
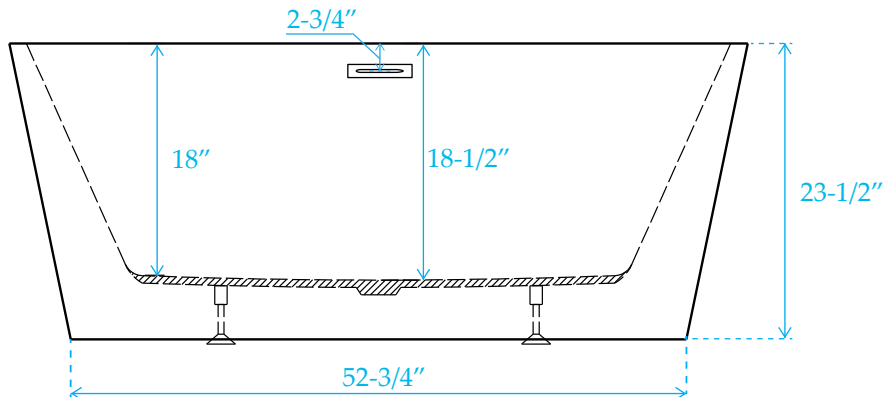


WYNDHAM COLLECTION

Exterior Size - 63"L x 31-1/2"W x 23-1/2"H
Interior Size - 60"L x 28-3/4"W x 18"H
Depth at Drain - 18-1/2"
Drain To Overflow - 16"
Maximum Fill - 84 Gallons
Note - All Measurements are $\pm 1/2$ "



WC-BTM1514-63